

## Technical Information

### STD700 SmartLine Differential Pressure Specification 34-ST-03-121, November 2016



#### Introduction

Part of the SmartLine® family of products, the STD700 models are suitable for monitoring, control and data acquisition. These products feature piezoresistive sensor technology combining pressure sensing with on chip temperature compensation capabilities providing high accuracy, stability and performance over a wide range of application pressures and temperatures. The SmartLine family is also fully tested and compliant with Experion® PKS providing the highest level of compatibility assurance and integration capabilities. SmartLine easily meets the most demanding application needs for pressure measurement applications.

#### Best in Class Features:

- Accuracies up to 0.065% of span
- Stability up to 0.025% of URL per year for 5 years
- Automatic static pressure & temperature compensation
- Rangeability up to 100:1
- Response times as fast as 100ms
- Easy to use and intuitive display capabilities
- Intuitive External Zero, Span and configuration capability
- On-board diagnostic capabilities
- Integral Dual Seal design for highest safety based on ANSI/NFPA 70-202 and ANSI/ISA 12.27.0
- World class overpressure protection
- Full compliance to SIL 2/3 requirements.

#### Communications/Output Options:

- HART® (version 7.0)



**Figure 1 – STD725/735/775 Differential Pressure Transmitters feature field-proven piezoresistive sensor technology**

#### Span & Range Limits:

Model	URL "H <sub>2</sub> O (mbar)	LRL "H <sub>2</sub> O (mbar)	Max Span "H <sub>2</sub> O (mbar)	Min Span "H <sub>2</sub> O (mbar)
STD725	400 (1000)	-400 (1000)	400 (1000)	4 (10)
Model	psi (bar)	psi (bar)	psi (bar)	psi (bar)
STD735	100 (7.0)	-100 (-7.0)	100 (7.0)	1 (0.07)
STD775	3000 (210)	-100 (-7.0)	3000 (210)	30 (2.1)

## Description

The SmartLine family pressure transmitters are designed around a high performance piezo-resistive sensor. This one sensor actually integrates multiple sensors linking process pressure measurement with on-board static pressure (DP Models) and temperature compensation measurements.

## Indication/Display Option

### Standard LCD Display Features

- Modular (may be added or removed in the field)
- Supports HART protocol variant
- 0, 90, 180, & 270 degree position adjustments
- Configurable (HART only) and standard (Pa, KPa, MPa, KGcm<sup>2</sup>, Torr, ATM, inH<sub>2</sub>O, mH<sub>2</sub>O, bar, mbar, inHG, FTH<sub>2</sub>O, mmH<sub>2</sub>O, mm HG, & psi) measurement units.
- Supports Flow engineering units
- 2 Lines 6 digits PV (9.95H x 4.20W mm) 8 Characters
- Square root output indication ( $\sqrt{\quad}$ ) and Write protect Indication
- Built in Basic Device Configuration through Internal or External Buttons – Range/Engineering Unit/Loop Test /Loop Calibration/Zero /Span Setting

## Diagnostics

SmartLine transmitters all offer digitally accessible diagnostics which aid in providing advanced warning of possible failure events minimizing unplanned shutdowns, providing **lower overall operational costs**

## System Integration

- SmartLine communications protocols all meet the most current published standards for HART.
- All ST 700 units are Experion tested to provide the highest level of compatibility assurance

## Configuration Tools

### External Two Button Configuration Option

Suitable for all electrical and environmental requirements, SmartLine offers the ability to configure the transmitter and display, for all basic parameters, via two externally accessible buttons when a display option is selected. Zero/span capabilities are also optionally available via two external buttons with or without selection of the display option.

### Internal Two Button Configuration Option

The Standard display has two buttons that can be used for Basic configuration such as re ranging, PV Engineering unit setting, Zero/Span settings, Loop testing and calibration functions.

### Hand Held Configuration

SmartLine transmitters feature two-way communication and configuration capability between the operator and the transmitter. This is accomplished via Honeywell's field-rated Multiple Communication Configurator (MCT404). The MCT404 is capable of field configuring HART Devices and can also be ordered for use in intrinsically safe environments. All Honeywell transmitters are designed and tested for compliance with the offered communication protocols and are designed to operate with any properly validated hand held configuration device.

### Personal Computer Configuration

Field Device Manager (FDM) Software and FDM Express are also available for managing HART configurations.

## Modular Design

To help contain maintenance & inventory costs, all ST 700 transmitters are modular in design supporting the user's ability to replace meter bodies, standard displays or electronic modules without affecting overall performance. Each meter body is uniquely characterized to provide in-tolerance performance over a wide range of application variations in temperature and pressure.

### Modular Features

- Meter body replacement
- Add or remove standard displays
- Add or remove lightning protection (terminal connection)

With no performance effects, *Honeywell's unique modularity results in lower inventory needs and lower overall operating costs.*

**Performance Specifications**

**Reference Accuracy** (conformance to +/-3 Sigma)

**Table 1**

Model	URL	LRL	Min Span	Maximum Turndown Ratio	Stability (% URL/Year for five years)	Reference Accuracy <sup>1,2</sup> (% Span)
STD725	400 in H <sub>2</sub> O/1000 mbar	-400 in H <sub>2</sub> O/-1000 mbar	4 in H <sub>2</sub> O/10 mbar	100:1	0.025	0.065%
STD735	100 psi/7.0 bar	-100 psi/-7.0 bar	1 psi/0.07 bar	100:1	0.030	
STD775	3000 psi/210 bar	-100 psi/-7.0 bar	30 psi/2.1bar	100:1	0.025	

Zero and span may be set anywhere within the listed (URL/LRL) range limits

**Accuracy, Temperature and Static Pressure Effects:** (Conformance to +/-3)

TABLE II

Model	URL	Accuracy <sup>1,2</sup> (% of Span)				Combined Zero & Span Temperature Effect (% Span/50°F)		Combined Zero & Span Static Line Pressure Effect (% Span/1000psi)	
		For Spans Below	A	B	C "H <sub>2</sub> O / mbar	D	E	F	G
STD725	400 in H <sub>2</sub> O/1000mbar	16:1	0.0125	0.0525	25 / 62.5	0.050	0.025	0.100	0.020
Model	URL	For Spans below	A	B	C psi / bar	D	E	F	G
STD735	100 psi/7.0 bar	4:1	0.0125	0.0525	25 / 1.75	0.070	0.015	0.100	0.020
STD775	3000 psi/210 bar	10:1			300 / 21				
<b>Turn Down Effect</b>						<b>Temp Effect</b>		<b>Static Effect</b>	
$\pm \left[ A + B \left( \frac{C}{\text{Span}} \right) \right]$ % Span						$\pm \left[ D + E \left( \frac{\text{URL}}{\text{Span}} \right) \right]$ % Span per 28°C (50°F)		$\pm \left[ F + G \left( \frac{\text{URL}}{\text{Span}} \right) \right]$ % Span per 1000 psi	

**Total Performance (% of Span):**

$$\text{Total Performance} = \pm \sqrt{(\text{Accuracy})^2 + (\text{Temp Effect})^2 + (\text{Static Line Pressure Effect})^2}$$

**Total Performance Examples:** (5:1 Turndown, up to 50 °F shift & up to 1000 psi Static Pressure)

**STD725 @ 80" H<sub>2</sub>O:** 0.274% of span

**STD735 @ 20 psi:** 0.255 % of span

**STD775 @ 600 psi:** 0.255 % of span

**Typical Calibration Frequency:**

Calibration verification is recommended every two (2) years

**Notes:**

- Terminal Based Accuracy – Includes combined effects of linearity, hysteresis and repeatability. Analog output adds 0.006% of span
- For zero based spans and reference conditions of: 25°C (77°F), 0 psig static pressure, 10 to 55% RH and 316SS barrier diaphragm.

**Operating Conditions – All Models**

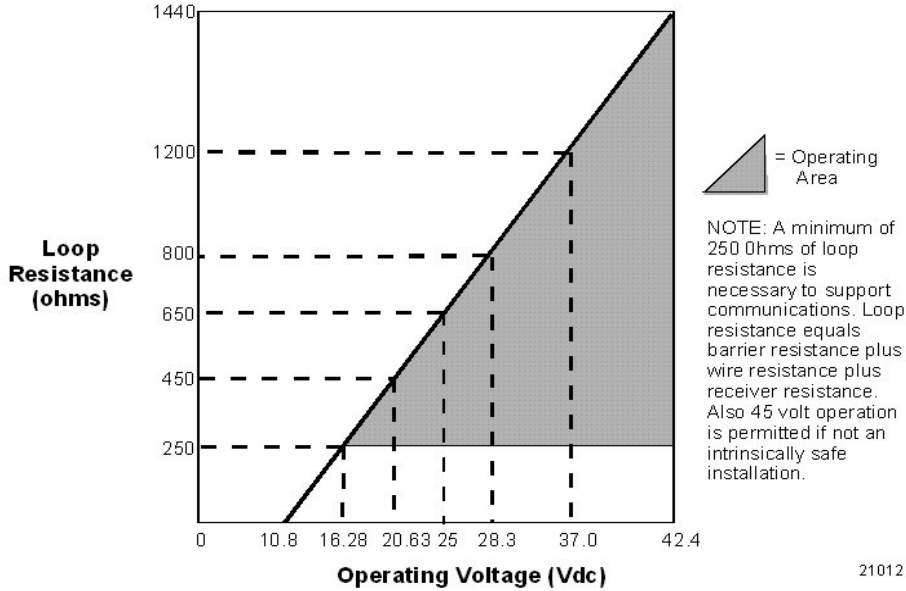
Parameter	Reference Condition		Rated Condition		Operative Limits		Transportation and Storage	
	°C	°F	°C	°F	°C	°F	°C	°F
Ambient Temperature <sup>1</sup>	25±1	77±2	-40 to 85	-40 to 185	-40 to 85	-40 to 185	-55 to 120	-67 to 248
Meter Body Temperature	25±1	77±2	-40 to 110	-40 to 230	-40 to 125	-40 to 257	-55 to 120	-67 to 248
Humidity %RH	10 to 55		0 to 100		0 to 100		0 to 100	
Vac. Region – Min. Pressure  mmHg absolute inH <sub>2</sub> O absolute	Atmospheric Atmospheric		25 13		2 (short term ) <sup>2</sup> 1 (short term ) <sup>2</sup>			
Supply Voltage Load Resistance	10.8 to 42.4 Vdc at terminals (IS versions limited to 30 Vdc) 0 to 1,440 ohms (as shown in Figure 2)							
Maximum Allowable Working Pressure (MAWP) <sup>3,4</sup>  (ST 700 products are rated to Maximum Allowable Working Pressure. MAWP depends on Approval Agency and transmitter materials of construction.)	4,500 psi, 310 bar							

<sup>1</sup> LCD Display operating temperature -20°C to +70°C. Storage temperature -30°C to 80°C.

<sup>2</sup> Short term equals 2 hours at 70°C (158°F)

<sup>3</sup> MAWP applies for temperatures -40 to 125°C. Static Pressure Limit is de-rated to 3,000 psi for -26°C to -40°C. for all models. Use of graphite o-rings de-rates transmitter to 3,625 psi. Use of 1/2." process adaptors with graphite o-rings de-rates transmitter to 3,000 psi.

<sup>4</sup> Consult factory for MAWP of ST 700 transmitters with CRN approval.



**Figure 2 - Supply voltage and loop resistance chart & calculations**

### Performance Under Rated Conditions – All Models

Parameter	Description									
<b>Analog Output</b> <b>Digital Communications:</b>	Two-wire, 4 to 20 mA HART 7 protocol									
<b>HART Output Failure Modes</b>	<table border="0"> <tr> <td><b>Normal Limits:</b></td> <td><b>Honeywell Standard:</b></td> <td><b>NAMUR NE 43 Compliance:</b></td> </tr> <tr> <td></td> <td>3.8 – 20.8 mA</td> <td>3.8 – 20.5 mA</td> </tr> <tr> <td><b>Failure Mode:</b></td> <td>≤ 3.6 mA and ≥ 21.0 mA</td> <td>≤ 3.6 mA and ≥ 21.0 mA</td> </tr> </table>	<b>Normal Limits:</b>	<b>Honeywell Standard:</b>	<b>NAMUR NE 43 Compliance:</b>		3.8 – 20.8 mA	3.8 – 20.5 mA	<b>Failure Mode:</b>	≤ 3.6 mA and ≥ 21.0 mA	≤ 3.6 mA and ≥ 21.0 mA
<b>Normal Limits:</b>	<b>Honeywell Standard:</b>	<b>NAMUR NE 43 Compliance:</b>								
	3.8 – 20.8 mA	3.8 – 20.5 mA								
<b>Failure Mode:</b>	≤ 3.6 mA and ≥ 21.0 mA	≤ 3.6 mA and ≥ 21.0 mA								
<b>Supply Voltage Effect</b>	0.005% span per volt.									
<b>Transmitter Turn on Time</b> (includes power up & test algorithms)	2.5 sec.									
<b>Response Time</b> (delay + time constant)	100mS									
<b>Damping Time Constant</b>	Adjustable from 0 to 32 seconds in 0.1 increments. <b>Default:</b> 0.50 seconds									
<b>Vibration Effect</b>	Less than +/- 0.1% of URL w/o damping Per IEC60770-1 field or pipeline, high vibration level (10-2000Hz: 0.21 displacement/3g max acceleration)									
<b>Electromagnetic Compatibility</b>	IEC 61326-3-1									
<b>Lightning Protection Option</b>	<table border="0"> <tr> <td><b>Leakage Current:</b></td> <td colspan="2">10uA max @ 42.4VDC 93C</td> </tr> <tr> <td><b>Impulse rating:</b></td> <td>8/20uS      5000A (&gt;10 strikes)</td> <td>10000A (1 strike min.)</td> </tr> <tr> <td></td> <td>10/1000uS      200A (&gt; 300 strikes)</td> <td></td> </tr> </table>	<b>Leakage Current:</b>	10uA max @ 42.4VDC 93C		<b>Impulse rating:</b>	8/20uS      5000A (>10 strikes)	10000A (1 strike min.)		10/1000uS      200A (> 300 strikes)	
<b>Leakage Current:</b>	10uA max @ 42.4VDC 93C									
<b>Impulse rating:</b>	8/20uS      5000A (>10 strikes)	10000A (1 strike min.)								
	10/1000uS      200A (> 300 strikes)									

### Materials Specifications (see model selection guide for availability/restrictions with various models)

Parameter	Description
<b>Barrier Diaphragms Material</b>	316L SS, Hastelloy® C-276 <sup>2</sup>
<b>Process Head Material</b>	316 SS <sup>4</sup> , Carbon Steel (Zinc-plated) <sup>5</sup> , Hastelloy® C-276 <sup>6</sup>
<b>Vent/Drain Valves &amp; Plugs</b> <sup>1</sup>	316 SS <sup>4</sup> , Hastelloy® C-276 <sup>2</sup>
<b>Head Gaskets</b>	Glass-filled PTFE standard. Viton® and graphite are optional.
<b>Meter Body Bolting</b>	Carbon Steel (Zinc plated) standard. Options include 316 SS, NACE A286 SS bolts and Super Duplex.
<b>Optional Adapter Flange and Bolts</b>	Adapter Flange materials include 316 SS, Hastelloy® C-276 and Super-Duplex. Bolt material for flanges is dependent on process head bolts material chosen. Standard adaptor seal material is glass-filled PTFE. Viton and graphite are optional.
<b>Mounting Bracket</b>	2" Pipe, Carbon Steel (Zinc-plated), 304 Stainless Steel or 316 Stainless Steel
<b>Fill Fluid</b>	Silicone 200 , CTFE
<b>Electronic Housing</b>	Pure Polyester Powder Coated Low Copper (<0.4%)-Aluminum. Meets NEMA 4X, IP66, & IP67. All stainless steel housing is optional.
<b>Mounting</b>	Can be mounted in virtually any position using the standard mounting bracket. Bracket is designed to mount on 2-inch (50 mm) vertical or horizontal pipe. See Figure 3.
<b>Process Connections</b>	1/4- NPT or 1/2- NPT with adapter (meets DIN requirements)
<b>Wiring</b>	Accepts up to 16 AWG (1.5 mm diameter).
<b>Dimensions</b>	See <a href="#">Figure 3</a> .
<b>Net Weight</b>	8.3 pounds (3.8 Kg) with Aluminum Housing.

<sup>1</sup> Vent/Drains are sealed with Teflon®

<sup>2</sup> Hastelloy® C-276 or UNS N10276

<sup>4</sup> Supplied as 316 SS or as Grade CF8M, the casting equivalent of 316 SS.

<sup>5</sup> Carbon Steel heads are zinc-plated and not recommended for water service due to hydrogen migration. For that service, use 316 stainless steel wetted Process Heads.

<sup>6</sup> Hastelloy C-276 or UNS N10276. Supplied as indicated or as Grade CW12MW, the casting equivalent of Hastelloy C-276

## Communications Protocols & Diagnostics

### HART Protocol

#### Version:

HART 7

#### Power Supply

Voltage: 10.8 to 42.4Vdc at terminals

Load: Maximum 1440 ohms See [Figure 2](#)

Minimum Load: 0 ohms. (For handheld communications a minimum load of 250 ohms is required)

### Standard Diagnostics

ST 700 top level diagnostics are reported as either critical or non-critical and readable via the DD/DTM tools or integral display as shown below.

#### Critical Diagnostics

HART DD/DTM Tools	Standard Display
Electronic Module DAC Failure	Fault Comm EI
Meter Body NVM Corrupt	Fault Mtrbody
Config. Data Corrupt	Fault Comm EI
Electronic Module Diag Failure	Fault Comm EI
Meter Body Critical Failure	Fault Mtrbody
Sensor Comms Timeout	Fault Mbd Com

#### Non-Critical Diagnostics

HART DD/DTM Tools
Display Failure
Electronic Module Comm Failure
Meter Body Excess Correct
Sensor Over Temperature
Fixed Current Mode
PV Out of Range
No Factory Calibration
LRV Set Error – Zero Config. Button
URV Set Error – Zero Config. Button
AO Out of Range
Loop Current Noise
Meter Body Unreliable Comm
No DAC Calibration
Sensor Supply Voltage Low

Refer to ST 700 manuals for additional level diagnostic information

**Approval Certifications:**

AGENCY	TYPE OF PROTECTION	FIELD PARAMETERS	AMBIENT TEMP (Ta)
<b>FM Approvals™</b>	<b>Explosionproof:</b> Class I, Division 1, Groups A, B, C, D; <b>Dust Ignition Proof:</b> Class II, III, Division 1, Groups E, F, G;  Class I, Zone 0/1, AEx d IIC Ga/Gb Class II, Zone 21, AEx tb IIIC Db T 95°C	Note 1	T5: -50 °C to 85°C T6: -50 °C to 65°C
	<b>Intrinsically Safe:</b> Class I, II, III, Division 1, Groups A, B, C, D, E, F, G;  Class I, Zone 0, AEx ia IIC Ga		T4: -50 °C to 70°C
	<b>Nonincendive:</b> Class I, Division 2, Groups A, B, C, D  Class I, Zone 2, AEx nA IIC Gc	Note 1	T4: -50 °C to 85°C
	<b>Enclosure:</b> Type 4X/ IP66/ IP67	All	-
<b>Canadian Standards Association (CSA)</b>	<b>Explosion Proof:</b> Class I, Division 1, Groups A, B, C, D; <b>Dust Ignition Proof:</b> Class II, III, Division 1, Groups E, F, G;  Ex d IIC Ga Ex tb IIIC Db T 95°C	Note 1	T5: -50 °C to 85°C T6: -50 °C to 65°C
	<b>Intrinsically Safe:</b> Class I, II, III, Division 1, Groups A, B, C, D, E, F, G;  Ex ia IIC Ga		T4: -50 °C to 70°C
	<b>Nonincendive:</b> Class I, Division 2, Groups A, B, C, D; T4  Ex nA IIC Gc	Note 1	T4: -50 °C to 85°C
	<b>Enclosure:</b> Type 4X/ IP66/ IP67	All	-
<b>ATEX</b>	<b>Flameproof:</b> II 1/2 G Ex d IIC Ga/Gb II 2 D Ex tb IIIC Db T 95°C	Note 1	T5: -50 °C to 85°C T6: -50 °C to 65°C
	<b>Intrinsically Safe:</b> II 1 G Ex ia IIC Ga		T4: 50 °C to 70°C
	<b>Nonincendive:</b> II 3 G Ex nA IIC Gc	Note 1	T4: -50 °C to 85°C
	<b>Enclosure:</b> IP66/ IP67	All	-

**Approval Certifications: (Continued)**

<b>IECEX (World)</b>	<b>Flameproof :</b> Ex d IIC Ga/Gb Ex tb IIIC Db T 95°C	Note 1	T5: -50 °C to 85°C T6: -50 °C to 65°C
	<b>Intrinsically Safe:</b> Ex ia IIC Ga		T4: -50 °C to 70°C
	<b>Nonincendive:</b> Ex nA IIC Gc	Note 1	T4: -50 °C to 85°C
	<b>Enclosure:</b> IP66/ IP67	All	-
<b>NEPSI (China)</b>	<b>Flameproof:</b> Ex d IIC Ga/Gb Ex tb IIIC Db T 85°C	Note 1	T5: -50 °C to 85°C T6: -50 °C to 65°C
	<b>Intrinsically Safe:</b> Ex ia IIC Ga		T4: -50 °C to 70°C
	<b>Nonincendive:</b> Ex nA IIC Gc	Note 1	T4: -50 °C to 85°C
	<b>Enclosure :</b> IP 66/67	All	-

**Notes:**

- Operating Parameters:  
Voltage= 11 to 42 V DC      Current= 4-20 mA Normal

**Other Certification Options****SIL**

<b>SIL 2/3 Certification</b>	IEC 61508 SIL 2 for non-redundant use and SIL 3 for redundant use according to EXIDA and TÜV Nord Sys Tec GmbH & Co. KG under the following standards: IEC61508-1: 2010; IEC 61508-2: 2010; IEC61508-3: 2010.
------------------------------	---

**Materials**

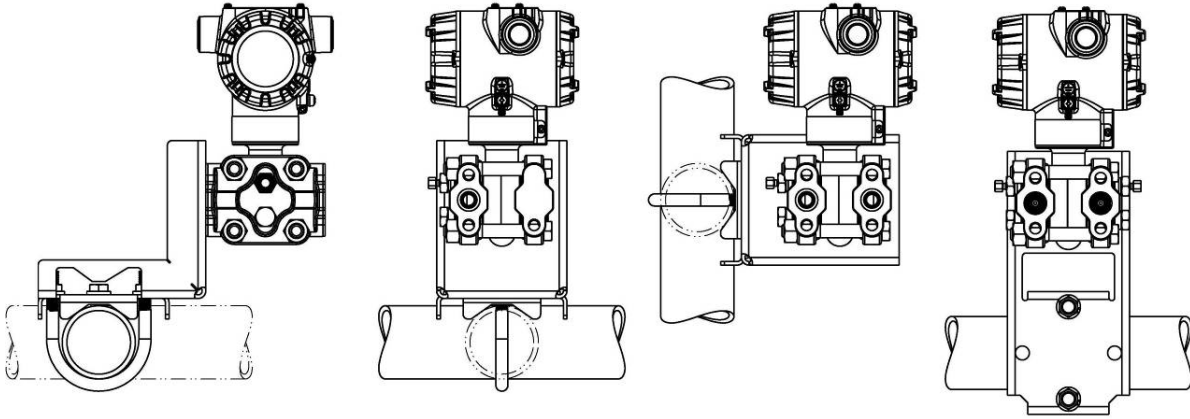
- NACE MR0175, MR0103, ISO15156



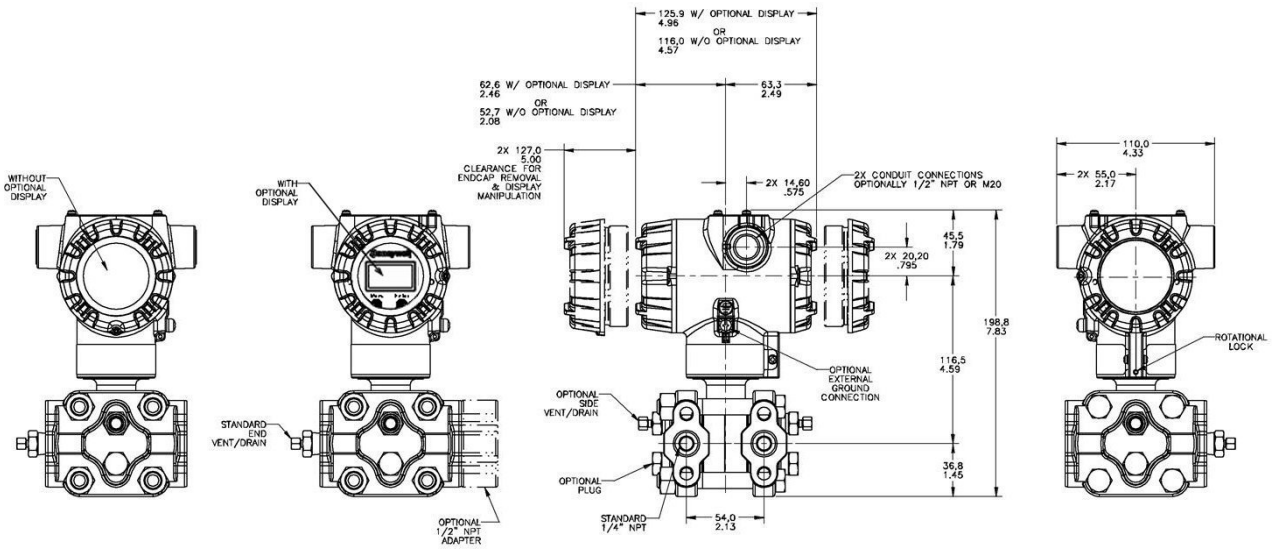
**Mounting & Dimensional Drawings**

Reference Dimensions:  $\frac{\text{millimeters}}{\text{inches}}$

**Mounting Configurations**



**Dimensions**



**Figure 3 – Typical mounting dimensions of STD725, STD735 & STD775 for reference only**

Model Selection Guides are subject to change and are inserted into the specifications as guidance only. Prior to specifying or ordering a model check for the latest revision Model Selection Guides which are published at: [www.honeywellprocess.com/en-US/pages/default.aspx](http://www.honeywellprocess.com/en-US/pages/default.aspx)

**Model Selection Guide**

**Model STD700  
Differential Pressure Transmitter**

Model Selection Guide:  
34-ST-16-121 Issue 1

**Instructions:** Make selections from all Tables: Key through XIII using column below the proper arrow. Asterisk indicates availability. Letter (a) refer to restrictions highlighted in the restrictions table. Tables delimited with dashes.

Key                    I                    II                    III                    IV                    V                    VI                    VII                    VIII                    IX

STD7\_\_ - \_\_\_\_\_ - \_\_ - \_\_ - \_\_\_\_\_ - \_\_\_\_\_ - \_\_ - \_\_\_\_\_ - \_\_\_\_\_ - 0000

KEY NUMBER	URL	LRL	Max Span	Min Span	Units
a. Measurement Range	400/(1000)	-400/(-1000)	400/(1000)	4.0 (10)	" H <sub>2</sub> O (mbar)
	100 (7.0)	-100 (-7.0)	100 (7.0)	1 (0.07)	psi (bar)
	3000 (210)	-100 (-7.0)	3000 (210)	30 (2.1)	psi (bar)

Selection

STD725	↓		
STD735		↓	
STD775			↓

TABLE I	METER BODY SELECTIONS			
a. Process Wetted Heads & Diaphragm Materials	Process Head Material		Diaphragm Material	
	Plated Carbon Steel		316L Stainless Steel Hastelloy® C-276	
	316 Stainless Steel		316L Stainless Steel Hastelloy C-276	
	Hastelloy C-276		Hastelloy C-276	
b. Fill Fluid	Silicone Oil 200 Fluorinated Oil CTFE			
c. Process Connection	None 1/2" NPT female	None (1/4" NPTF female thread Std) Materials to Match Head & Head Bolt Materials Selections <sup>1</sup>		
d. Bolt/Nut Materials	Carbon Steel 316 SS Grade 660 (NACE A286) with NACE 304 SS Nuts Grade 660 (NACE A286) Bolts & Nuts Super Duplex			
e. Vent/Drain Type/Location	Head Type	Vent Type	Location	Vent Material
	Single Ended	None	None	None
	Single Ended	Standard Vent	Side	Matches Head Material <sup>1</sup>
	Single Ended	Center Vent	Side	Stainless Steel Only
	Dual Ended	Standard Vent	End	Matches Head Material <sup>1</sup>
	Dual Ended	Center Vent	End	Stainless Steel Only
Dual Ended	Std Vent/Plug	Side/End	Matches Head Material <sup>1</sup>	
f. Gasket Material	Teflon® or PTFE (Glass Filled) Viton® or Fluorocarbon Elastomer Graphite			
g. Static Pressure	Standard Static Pressure - 4500 psig (315 bar)			

A	_____	*	*	*
B	_____	*	*	*
E	_____	*	*	*
F	_____	*	*	*
J	_____	*	*	*
1	_____	*	*	*
2	_____	*	*	*
A	_____	*	*	*
H	_____	*	*	*
C	_____	*	*	*
S	_____	*	*	*
N	_____	*	*	*
K	_____	p	p	p
D	_____	p	p	p

1	_____	*	*	*
2	_____	*	*	*
3	_____	t	t	t
4	_____	*	*	*
5	_____	t	t	t
6	_____	*	*	*
A	_____	*	*	*
B	_____	*	*	*
C	_____	*	*	*
S	_____	*	*	*

<sup>1</sup>Except Carbon Steel Heads shall use 316SS Vent/Drain, Plugs & Adapters when required

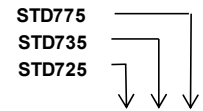
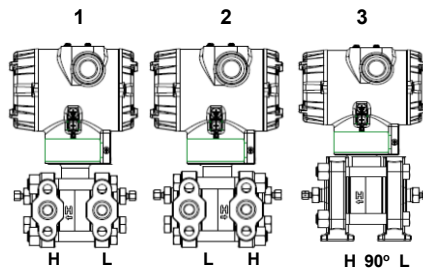


TABLE II Meter Body & Connection Orientation		
Head/Connect Orientation	Standard	High Side Left, Low Side Right <sup>2</sup> / Std Head Orientation
	Reversed	Low Side Left, High Side Right <sup>2</sup>
	90/Standard	High Side Left, Low Side Right <sup>2</sup> / 90 <sup>o</sup> Head Rotation

1	*	*	*
2	*	*	*
3	h	h	h

TABLE III Agency Approvals (see data sheet for Approval Code Details)	
Approvals	No Approvals Required
	FM Explosion proof, Intrinsically Safe, Non-incendive, & Dustproof
	CSA Explosion proof, Intrinsically Safe, Non-incendive, & Dustproof
	ATEX Explosion proof, Intrinsically Safe & Non-incendive
	IECEx Explosion proof, Intrinsically Safe & Non-incendive
	NEPSI Explosion proof, Intrinsically Safe & Non-incendive

0	*	*	*
A	*	*	*
B	*	*	*
C	*	*	*
D	*	*	*
G	*	*	*

TABLE IV TRANSMITTER ELECTRONICS SELECTIONS			
a. Electronic Housing Material & Connection Type	Material	Connection	Lightning Protection
	Polyester Powder Coated Aluminum	1/2 NPT	None
	Polyester Powder Coated Aluminum	M20	None
	Polyester Powder Coated Aluminum	1/2 NPT	Yes
	Polyester Powder Coated Aluminum	M20	Yes
	316 Stainless Steel (Grade CF8M)	1/2 NPT	None
	316 Stainless Steel (Grade CF8M)	M20	None
	316 Stainless Steel (Grade CF8M)	1/2 NPT	Yes
b. Output/ Protocol	Analog Output		Digital Protocol
	4-20mA dc		HART Protocol
c. Customer Interface Selections	Indicator	Ext Zero, Span & Config Buttons	Languages
	None	None	None
	None	Yes (Zero/Span Only)	None
	Standard (w/Internal Zero, Span & Config Buttons)	None	English
Standard (w/Internal Zero, Span & Config Buttons)	Yes	English	

A __	*	*	*
B __	*	*	*
C __	*	*	*
D __	*	*	*
E __	*	*	*
F __	*	*	*
G __	*	*	*
H __	*	*	*

_ H _	*	*	*
-------	---	---	---

__ 0	*	*	*
__ A	*	*	*
__ S	*	*	*
__ T	*	*	*

TABLE V CONFIGURATION SELECTIONS			
a. Application Software	Diagnostics		
	Standard Diagnostics		
b. Output Limit, Failsafe & Write Protect Settings	Write Protect	Fail Mode	High & Low Output Limits <sup>3</sup>
	Disabled	High > 21.0mAdc	Honeywell Std (3.8 - 20.8 mAdc)
	Disabled	Low < 3.6mAdc	Honeywell Std (3.8 - 20.8 mAdc)
	Enabled	High > 21.0mAdc	Honeywell Std (3.8 - 20.8 mAdc)
Enabled	Low < 3.6mAdc	Honeywell Std (3.8 - 20.8 mAdc)	
c. General Configuration	Factory Standard		
	Custom Configuration (Unit Data Required from customer)		

1 __	*	*	*
------	---	---	---

_ 1 _	*	*	*
_ 2 _	*	*	*
_ 3 _	*	*	*
_ 4 _	*	*	*

__ S	*	*	*
__ C	*	*	*

<sup>2</sup> Left side/Right side as viewed from the customer connection perspective

<sup>3</sup> NAMUR Output Limits 3.8 - 20.5mAdc can be configured by the customer or select custom configuration Table Vc

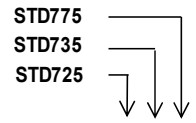


TABLE VI CALIBRATION & ACCURACY SELECTIONS			
a. Accuracy and Calibration	Accuracy		Calibration Qty
	Standard	Factory Std	Single Calibration
	Standard	Custom (Unit Data Required)	Single Calibration

A	*	*	*
B	*	*	*

TABLE VII ACCESSORY SELECTIONS			
a. Mounting Bracket	Bracket Type		Material
	None	None	
	Angle Bracket	Carbon Steel	
	Angle Bracket	304 SS	
	Angle Bracket	316 SS	
	Flat Bracket	Carbon Steel	
	Flat Bracket	304 SS	
	Flat Bracket	316 SS	
b. Customer Tag	Customer Tag Type		
	One Wired Stainless Steel Tag (Up to 4 lines 26 char/line)		
c. Unassembled Conduit Plugs & Adapters	Unassembled Conduit Plugs & Adapters		
	No Conduit Plugs or Adapters Required		
	1/2 NPT Male to 3/4 NPT Female 316 SS Certified Conduit Adapter		
	M20 316 SS Certified Conduit Plug		

0	---	*	*	*
1	---	*	*	*
2	---	*	*	*
3	---	*	*	*
5	---	*	*	*
6	---	*	*	*
7	---	*	*	*

_0	__	*	*	*
_1	__	*	*	*

__	A0	*	*	*
__	A2	n	n	n
__	A6	n	n	n
__	A7	m	m	m

TABLE VIII OTHER Certifications & Options: (String in sequence comma delimited (XX, XX, XX,...))	
Certifications & Warranty	None - No additional options
	NACE MR0175; MR0103; ISO15156 Process wetted parts only
	NACE MR0175; MR0103; ISO15156 Process wetted and non-wetted parts
	EN10204 Type 3.1 Material Traceability
	Certificate of Conformance
	Calibration Test Report & Certificate of Conformance
	Certificate of Origin
	FMEDA (SIL 2/3) Certification
	Over-Pressure Leak Test Certificate (1.5X MAWP)
	Cert Clean for O <sub>2</sub> or CL <sub>2</sub> service per ASTM G93
	PM Certification*
	Extended Warranty Additional 1 year
	Extended Warranty Additional 2 years
	Extended Warranty Additional 3 years
Extended Warranty Additional 4 years	

00	*	*	*	*
FG	*	*	*	*
F7	c	c	c	b
FX	*	*	*	*
F3	*	*	*	*
F1	*	*	*	b
F5	*	*	*	*
FE	j	j	j	*
TP	*	*	*	*
OX	e	e	e	*
PM	*	*	*	*
01	*	*	*	*
02	*	*	*	b
03	*	*	*	*
04	*	*	*	*

TABLE IX Manufacturing Specials	
Factory	Factory Identification

0000	*	*	*	*
------	---	---	---	---

**MODEL RESTRICTIONS**

Restriction Letter	Available Only with		Not Available with	
	Table	Selection(s)	Table	Selection(s)
c	1d	___ N,K,D ___		
e	1b	_ 2 _		
h			1e	___ 4, 5, 6 ___
			V1a	1,2,3,5,6,7 ___
			Vb	_ 1,2 _
m	IV a	B, D, F, H ___		
n	IV a	A, C, E, G ___		
p			III	B- No CRN number available
t			1a	J _ _ _ _ _
b	Select only one option from this group			

<sup>4</sup>The PM option is available on all Smartline Pressure Transmitter process wetted parts such as process heads, flanges, bushings and vent plugs except plated carbon steel process heads and flanges. PM option information is also available on diaphragms except STG and STA in-line construction pressure transmitters.

**FIELD INSTALLABLE REPLACEMENT PARTS**

Description	Kit Number
Terminal Strip w/Lightning Protection Kit for HART Module	50129832-501
Terminal Strip w/o Lightning Protection for HART Module	50129832-502
HART Electronics Module	50129828-501
HART Electronics Module w/connection for external configuration buttons	50129828-502
Standard Display Module	50126003-501

## Sales and Service

For application assistance, current specifications, pricing, or name of the nearest Authorized Distributor, contact one of the offices below.

### ASIA PACIFIC

Honeywell Process Solutions,  
(TAC) [hfs-tac-support@honeywell.com](mailto:hfs-tac-support@honeywell.com)

#### Australia

Honeywell Limited  
Phone: +(61) 7-3846 1255  
FAX: +(61) 7-3840 6481  
Toll Free 1300-36-39-36  
Toll Free Fax:  
1300-36-04-70

#### China – PRC - Shanghai

Honeywell China Inc.  
Phone: (86-21) 5257-4568  
Fax: (86-21) 6237-2826

#### Singapore

Honeywell Pte Ltd.  
Phone: +(65) 6580 3278  
Fax: +(65) 6445-3033

#### South Korea

Honeywell Korea Co Ltd  
Phone: +(822) 799 6114  
Fax: +(822) 792 9015

### EMEA

Honeywell Process Solutions,  
Phone: + 80012026455 or  
+44 (0)1344 656000

Email: (Sales)

[FP-Sales-Apps@Honeywell.com](mailto:FP-Sales-Apps@Honeywell.com)

or

(TAC)

[hfs-tac-support@honeywell.com](mailto:hfs-tac-support@honeywell.com)

### AMERICA'S

Honeywell Process Solutions,  
Phone: (TAC) 1-800-423-9883 or  
215/641-3610  
(Sales) 1-800-343-0228

Email: (Sales)

[FP-Sales-Apps@Honeywell.com](mailto:FP-Sales-Apps@Honeywell.com)

or

(TAC)

[hfs-tac-support@honeywell.com](mailto:hfs-tac-support@honeywell.com)

*Specifications are subject to change without notice.*

### For more information

To learn more about SmartLine Pressure Transmitters visit [www.honeywellprocess.com](http://www.honeywellprocess.com)  
Or contact your Honeywell Account Manager

### Process Solutions

Honeywell  
1250 W Sam Houston Pkwy S  
Houston, TX 77042

Honeywell Control Systems Ltd  
Honeywell House, Skimped Hill Lane  
Bracknell, England, RG12 1EB

Shanghai City Centre, 100 Jungi Road  
Shanghai, China 20061

[www.honeywellprocess.com](http://www.honeywellprocess.com)



**Honeywell**  
AUTHORIZED DISTRIBUTOR

**De Gidts & Feldman BV**  
**The Netherlands**  
**w w w . d g f g . n l**



**De Gidts & Feldman**  
INSTRUMENTATION & FILTRATION

**Honeywell**

34-ST-03-121  
November 2016

©2016 Honeywell International Inc.