

Technical Information

STG700 SmartLine Gauge Pressure Specification 34-ST-03-122, March 2020



Introduction

Part of the SmartLine® family of products, the STG700 Dual Head and STG700 Inline are suitable for monitoring, control and data acquisition. STG700 Dual Head products feature piezoresistive sensor technology combining pressure sensing with on chip temperature compensation capabilities providing high accuracy, stability and performance over a wide range of application pressures and temperatures. The SmartLine family is also fully tested and compliant with Experion® PKS providing the highest level of compatibility assurance and integration capabilities. SmartLine easily meets the most demanding application needs for pressure measurement applications.

Best in Class Features:

- Accuracy up to 0.065 % of calibrated span
- Stability up to 0.020% of URL per year for 10 years
- Automatic temperature compensation
- Rangeability up to 100:1
- Response times as fast as 100ms
- Easy to use and intuitive display capabilities
- Intuitive External zero & span capability
- On-board diagnostic capabilities
- Integral Dual Seal design for safety based on ANSI/NFPA 70-202 and ANSI/ISA 12.27.0
- Full compliance to SIL 2/3 requirements as a standard.



Figure 1 – STG700 Dual Head and Inline Gauge Pressure Transmitters

Span & Range Limits:

Model	URL/Max Span psi (bar)	LRL psi (bar)	Min Span	Turn down
STG735/STG73S	50 (3.5)	-14.7 (-1.0)	0.5 (0.035)	100:1
STG745/STG74S	500 (35)	-14.7 (-1.0)	5 (.35)	100:1
STG775/STG77S	3000 (210)	-14.7 (-1.0)	30 (2.1)	100:1
STG78S	6000 (420)	-14.7 (-1.0)	60 (4.2)	100:1
STG79S	10000 (690)	-14.7 (-1.0)	100 (6.9)	100:1

Communications/Output Options:

- HART® (version 7.0)

Description

The SmartLine family pressure transmitters are designed around a high performance piezo-resistive sensor. This one sensor integrates multiple sensors linking process pressure measurement with on-board static pressure (GP Models) and temperature compensation measurements.

Indication/Display Option

Standard LCD Display Features

- Modular (may be added or removed in the field)
- Supports HART protocol variant
- 0, 90, 180, & 270 degree position adjustments
- Configurable (HART only) and standard (Pa, KPa, MPa, KGcm², Torr, ATM, inH₂O, mH₂O, bar, mbar, inHG, FTH₂O, mmH₂O, mm HG, & psi) measurement units.
- 2 Lines 6 digits PV (9.95H x 4.20W mm) 8 Characters
- Square root output indication ($\sqrt{\quad}$) and Write protect Indication
- Built in Basic Device Configuration through Internal or External Buttons – Range/Engineering Unit/Loop Test /Loop Calibration/Zero /Span Setting

Diagnostics

SmartLine transmitters all offer digitally accessible diagnostics which aid in providing advanced warning of possible failure events minimizing unplanned shutdowns, providing **lower overall operational costs**

System Integration

- SmartLine communications protocols all meet the most current published standards for HART.
- All ST 700 units are Experion tested to provide the highest level of compatibility assurance

Configuration Tools

External Two Button Configuration Option

Suitable for all electrical and environmental requirements, SmartLine offers the ability to configure the transmitter and display, for all basic parameters, via two externally accessible buttons when a display option is selected. Zero/span capabilities are also optionally available via two external buttons with or without selection of the display option.

Internal Two Button Configuration Option

The Standard display has two buttons that can be used for Basic configuration such as re ranging, PV Engineering unit setting, Zero/Span settings, Loop testing and calibration functions.

Hand Held Configuration

SmartLine transmitters feature two-way communication and configuration capability between the operator and the transmitter. This is accomplished via Honeywell's field-rated Multiple Communication Configurator (MCT404). The MCT404 is capable of field configuring HART Devices and can also be ordered for use in intrinsically safe environments. All Honeywell transmitters are designed and tested for compliance with the offered communication protocols and are designed to operate with any properly validated hand held configuration device.

Personal Computer Configuration

Field Device Manager (FDM) Software and FDM Express are also available for managing HART device configurations.

Modular Design

To help contain maintenance & inventory costs, all ST 700 transmitters are modular in design supporting the user's ability to replace meter bodies, standard displays or electronic modules without affecting overall performance. Each meter body is uniquely characterized to provide in-tolerance performance over a wide range of application variations in temperature and pressure.

Modular Features

- Meter body replacement
- Add or remove standard displays
- Add or remove lightning protection (terminal connection)

With no performance effects, *Honeywell's unique modularity results in lower inventory needs and lower overall operating costs.*

Performance Specifications

Reference Accuracy: (conformance to +/-3 Sigma)

Table 1

	Model	URL	LRL	Min Span	Maximum Turndown Ratio	Stability (% URL/Year for 10 years)	Reference Accuracy (% Span) ^{1,2}
Standard Accuracy	STG735	50 psi (3.5 bar)	-14.7 psi (-1.0 bar)	0.5 psi (.035 bar)	100:1	0.020%	0.0650%
	STG73S	50 psi (3.5 bar)	-14.7 psi (-1.0 bar)	0.5 psi (.035 bar)			
	STG745	500 psi (35 bar)	-14.7 psi (-1.0 bar)	5 psi (.35 bar)			
	STG74S	500 psi (35 bar)	-14.7 psi (-1.0 bar)	5 psi (.35 bar)			
	STG775	3000 psi (210 bar)	-14.7 psi (-1.0 bar)	30 psi (2.1 bar)			
	STG77S	3000 psi (210 bar)	-14.7 psi (-1.0 bar)	30 psi (2.1 bar)			
	STG78S	6000 psi (420 bar)	-14.7 psi (-1.0 bar)	60 psi (4.2 bar)			
	STG79S	10000 psi (690 bar)	-14.7 psi (-1.0 bar)	100 (6.9 bar)			

Zero and span may be set anywhere within the listed (URL/LRL) range limits

Accuracy, Span and Temperature Effect: (Conformance to +/-3 Sigma)

Table 2

	Model	URL	Accuracy ^{1,2,3} (% of Span)			Temperature Effect (% Span/50°F)		
			For Turndowns Greater Than	A	B	C psi (bar)	D	E
Standard Accuracy	STG735	50 psi (3.5 bar)	17:1	0.025	0.04	3 (0.21)	0.070	0.008
	STG73S	50 psi (3.5 bar)	8:1			6 (0.4)	0.100	0.015
	STG745	500 psi (35 bar)	20:1			25 (1.7)	0.075	0.013
	STG74S	500 psi (35 bar)	20:1			25 (1.7)	0.100	0.020
	STG775	3000 psi (210 bar)	8.5:1			350 (24.1)	0.075	0.013
	STG77S	3000 psi (210 bar)	8.5:1			350 (24.1)	0.100	0.025
	STG78S	6000 psi (420 bar)	10:1			600 (42)	0.100	0.070
	STG79S	10000 psi (690 bar)	8:1			1250 (86)	0.200	0.170

Total Performance (% of Span):

$$\text{Total Performance Calculation: } = \pm \sqrt{(\text{Accuracy})^2 + (\text{Temperature Effect})^2}$$

Total Performance Examples (for comparison): @ 5:1 Turndown, +/-50 °F (28°C) shift

STG735 @ 10 psi: 0.128% of span

STG73S @ 10 psi: 0.187% of span

STG745 @ 100 psi: 0.154% of span

STG74S @ 100 psi: 0.210% of span

STG775 @ 600 psi: 0.154 % of span

STG77S @ 600 psi: 0.234% of span

STG78S @ 1200 psi: 0.455% of span

STG79S @ 2000 psi: 1.052% of span

Typical Calibration Frequency:

Calibration verification is recommended every two (2) years

Notes:

1. Terminal Based Accuracy - Includes combined effects of linearity, hysteresis, and repeatability. Analog output adds 0.006% of span.

2. For zero based spans and reference conditions of: 25 °C (77 °F) for LRV >= 0 psia, 10 to 55% RH, and 316 Stainless Steel barrier diaphragm.

3. STG735 and STG73S, for LRV<0 and/or URV<0, B = 1.25 and E = 0.25

Operating Conditions – All Models

Parameter	Reference Condition		Rated Condition		Operative Limits		Transportation and Storage	
	°C	°F	°C	°F	°C	°F	°C	°F
Ambient Temperature¹	25±1	77±2	-40 to 85	-40 to 185	-40 to 85	-40 to 185	-55 to 120	-67 to 248
Meter Body Temperature	25±1	77±2	-40 to 110	-40 to 230	-40 to 125	-40 to 257	-55 to 120	-67 to 248
Humidity %RH	10 to 55		0 to 100		0 to 100		0 to 100	
Vac. Region – Min. Pressure mmHg absolute inH₂O absolute	Atmospheric Atmospheric		25 13		2 (short term) ² 1 (short term) ²			
Supply Voltage Load Resistance	10.8 to 42.4 Vdc at terminals 0 to 1,440 ohms (as shown in Figure 2)							
Maximum Allowable Working Pressure (MAWP)^{3,4} <small>(ST700 products are rated to Maximum Allowable Working Pressure. MAWP depends on Approval Agency and transmitter materials of construction.)</small>	STG735: 50 psi (3.5 bar) STG745: 500 psi (35 bar) STG775: 3000 psi (210 bar)		STG73S: 50 psi (3.5 bar) STG74S: 500 psi (35 bar) STG77S: 3000 psi (210 bar) STG78S: 6000 psi (420 bar) STG79S: 10000 psi (690 bar)					

¹ LCD Display operating temperature -20°C to +70°C Storage temperature -30°C to 80°C.

² Short term equals 2 hours at 70°C (158°F)

³ Units can withstand overpressure of 1.5 x MAWP without damage

⁴ Consult the factory for MAWP of ST 700 transmitters with CRN approval

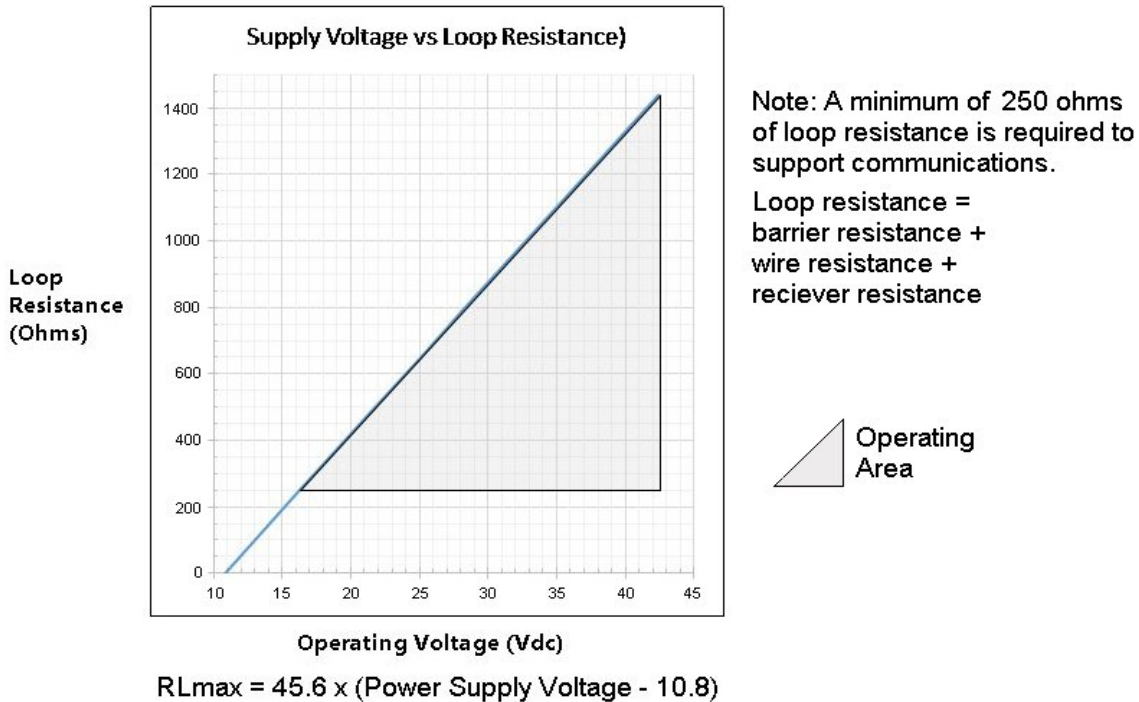


Figure 2 - Supply voltage and loop resistance chart & calculations

Performance Under Rated Conditions – All Models

Parameter	Description									
Analog Output Digital Communications:	Two-wire, 4 to 20 mA HART7									
HART Output Failure Modes	<table border="0"> <tr> <td></td> <td style="text-align: center;">Honeywell Standard:</td> <td style="text-align: center;">NAMUR NE 43 Compliance:</td> </tr> <tr> <td>Normal Limits:</td> <td style="text-align: center;">3.8 – 20.8 mA</td> <td style="text-align: center;">3.8 – 20.5 mA</td> </tr> <tr> <td>Failure Mode:</td> <td style="text-align: center;">≤ 3.6 mA and ≥ 21.0 mA</td> <td style="text-align: center;">≤ 3.6 mA and ≥ 21.0 mA</td> </tr> </table>		Honeywell Standard:	NAMUR NE 43 Compliance:	Normal Limits:	3.8 – 20.8 mA	3.8 – 20.5 mA	Failure Mode:	≤ 3.6 mA and ≥ 21.0 mA	≤ 3.6 mA and ≥ 21.0 mA
	Honeywell Standard:	NAMUR NE 43 Compliance:								
Normal Limits:	3.8 – 20.8 mA	3.8 – 20.5 mA								
Failure Mode:	≤ 3.6 mA and ≥ 21.0 mA	≤ 3.6 mA and ≥ 21.0 mA								
Supply Voltage Effect	0.005% span per volt.									
Transmitter Turn on Time (includes power up & test algorithms)	2.5 sec									
Response Time (delay + time constant)	100ms									
Damping Time Constant	Adjustable from 0 to 32 seconds in 0.1 increments. Default Value: 0.5 seconds									
Vibration Effect:	Less than +/- 0.1% of URL w/o damping Per IEC60770-1 field or pipeline, high vibration level (10-2000Hz: 0.21 displacement/3g max acceleration)									
Electromagnetic Compatibility	IEC 61326-3-1									
Lightning Protection Option	Leakage Current: 10uA max @ 42.4VDC 93C Impulse rating: <table border="0"> <tr> <td>8/20uS</td> <td>5000A (>10 strikes)</td> <td>10000A (1 strike min.)</td> </tr> <tr> <td>10/1000uS</td> <td>200A (> 300 strikes)</td> <td></td> </tr> </table>	8/20uS	5000A (>10 strikes)	10000A (1 strike min.)	10/1000uS	200A (> 300 strikes)				
8/20uS	5000A (>10 strikes)	10000A (1 strike min.)								
10/1000uS	200A (> 300 strikes)									

Materials Specifications (see model selection guide for availability/restrictions with various models)

Parameter	Description
Barrier Diaphragms Material	STG700 Dual Head: 316L SS, Hastelloy® C-276 ² STG700 Inline: 316L SS, Hastelloy® C-276 ²
Process Head Material	STG700 Dual Head: Carbon Steel (Zinc Plated) ⁵ , 316 SS ⁴ , Hastelloy® C-276 ⁶ STG700 Inline: 316L SS, Hastelloy® C-276 ⁶
Vent/Drain Valves & Plugs ¹	STG700 Dual Head: 316 SS ⁴ , Hastelloy® C-276 ² STG700 Inline: N/A
Head Gaskets	STG700 Dual Head: Glass-filled PTFE standard. Viton® and graphite are optional. STG700 Inline: N/A
Meter Body Bolting	STG700 Dual Head: Carbon Steel (Zinc plated) standard. Options include 316 SS, NACE A286 SS bolts and nuts or NACE A286 SS bolts and 304 SS nuts, and Super Duplex. STG700 Inline: N/A
Mounting Bracket	Carbon Steel (Zinc-plated) or 304 or 316 Stainless Steel, See Figures 4 & 5
Fill Fluid	Silicone, CTFE
Electronic Housing	Pure Polyester Powder Coated Low Copper (<0.4%)-Aluminum. Meets NEMA 4X, IP66, IP67 and NEMA 7 (explosion proof). All stainless steel housing is optional.
Process Connections	STG700 Dual Head: ½ -inch NPT(female) STG700 Inline: ½ -inch NPT(female), ½ -inch NPT male, 9/16 Aminco, G½ -B Male Thread
Wiring	Accepts up to 16 AWG (1.5 mm diameter).
Dimensions	See Figure 3 and Figure 4
Net Weight	STG700 Dual Head: 8.3 pounds (3.8 Kg). STG700 Inline: 3.6 pounds (1.6 Kg) with Aluminum Housing

¹ Vent/Drains are sealed with Teflon®² Hastelloy® C-276 or UNS N10276⁴ Supplied as 316 SS or as Grade CF8M, the casting equivalent of 316 SS.⁵ Carbon Steel heads are zinc-plated and not recommended for water service due to hydrogen migration. For that service, use 316 stainless steel wetted Process Heads.⁶ Hastelloy® C-276 or UNS N10276. Supplied as indicated or as Grade CW12MW, the casting equivalent of Hastelloy® C-276

Communications Protocols & Diagnostics

HART Protocol

Version:

HART 7

Power Supply

Voltage: 10.8 to 42.4Vdc at terminals

Load: Maximum 1440 ohms See [Figure 2](#).

Minimum Load: 0 ohms. (For handheld communications a minimum load of 250 ohms is required)

Standard Diagnostics

ST 700 top level diagnostics are reported as either critical or non-critical and readable via the DD/DTM tools or integral display as shown.

Critical Diagnostics

HART DD/DTM Tools	Standard Display
Electronic Module DAC Failure	Fault Comm EI
Meter Body NVM Corrupt	Fault Mtrbody
Config. Data Corrupt	Fault Comm EI
Electronic Module Diag Failure	Fault Comm EI
Meter Body Critical Failure	Fault Mtrbody
Sensor Comms Timeout	Fault Mbd Com

Non-Critical Diagnostics

HART DD/DTM Tools
Display Failure
Electronic Module Comm Failure
Meter Body Excess Correct
Sensor Over Temperature
Fixed Current Mode
PV Out of Range
No Factory Calibration
LRV Set Error – Zero Config. Button
URV Set Error – Zero Config. Button
AO Out of Range
Loop Current Noise
Meter Body Unreliable Comm
No DAC Calibration
Sensor Supply Voltage Low

Refer to ST 700 manuals for additional level diagnostic information.

Approval Certifications:

AGENCY	TYPE OF PROTECTION	FIELD PARAMETERS	AMBIENT TEMP (Ta)
FM Approvals™	Explosionproof: Class I, Division 1, Groups A, B, C, D; Dust Ignition Proof: Class II, III, Division 1, Groups E, F, G; Class I, Zone 0/1, AEx d IIC Ga/Gb Class II, Zone 21, AEx tb IIIC Db T 95°C	Note 1	T5: -50 °C to 85°C T6: -50 °C to 65°C
	Intrinsically Safe: Class I, II, III, Division 1, Groups A, B, C, D, E, F, G Class I, Zone 0, AEx ia IIC Ga		T4: -50 °C to 70°C
	Nonincendive: Class I, Division 2, Groups A, B, C, D locations, Class I, Zone 2, AEx nA IIC Gc	Note 1	T4: -50 °C to 85°C
	Enclosure: Type 4X/ IP66/ IP67	All	-
Canadian Standards Association (CSA)	Explosion Proof: Class I, Division 1, Groups A, B, C, D; Dust Ignition Proof: Class II, III, Division 1, Groups E, F, G; Ex d IIC Ga Ex tb IIIC Db T 95°C	Note 1	T5: -50 °C to 85°C T6: -50 °C to 65°C
	Intrinsically Safe: Class I, II, III, Division 1, Groups A, B, C, D, E, F, G Ex ia IIC Ga		T4: -50 °C to 70°C
	Nonincendive: Class I, Division 2, Groups A, B, C, D; T4 Ex nA IIC Gc	Note 1	T4: -50 °C to 85°C
	Enclosure: Type 4X/ IP66/ IP67	All	-
ATEX	Flameproof: II 1/2 G Ex d IIC Ga/Gb II 2 D Ex tb IIIC Db T 95°C	Note 1	T5: -50 °C to 85°C T6: -50 °C to 65°C
	Intrinsically Safe: II 1 G Ex ia IIC Ga		T4: -50 °C to 70°C
	Nonincendive: II 3 G Ex nA IIC Gc	Note 1	T4: -50 °C to 85°C
	Enclosure: IP66/ IP67	All	-

Approval Certifications: (Continued)

IECEX (World)	Flameproof : Ex d IIC Ga/Gb Ex tb IIIC Db T 95°C	Note 1	T5: -50 °C to 85°C T6: -50 °C to 65°C
	Intrinsically Safe: Ex ia IIC Ga		T4: -50 °C to 70°C
	Nonincendive: Ex nA IIC Gc	Note 1	T4: -50 °C to 85°C
	Enclosure: IP66/ IP67	All	-
SAEx South Africa	Flameproof : Ex d IIC Ga/Gb T4 Ex tb IIIC Db T 95°C	Note 1	-50 °C to 85°C
	Intrinsically Safe: Ex ia IIC Ga T4	Note 2a	-50 °C to 70°C
	Nonincendive: Ex nA IIC Gc T4	Note 1	-50 °C to 85°C
	Enclosure: IP66/ IP67	All	-
INMETRO Brazil	Flameproof: Ex db IIC T6..T5 Ga/Gb Ex tb IIIC T 95°C Db	Note 1	50 °C to 85°C
	Intrinsically Safe: Ex ia IIC T4 Ga	Note 2a	50 °C to 70°C
	Nonincendive: Ex nA IIC T4 Gc	Note 1	-50 °C to 85°C
	Enclosure : IP 66/67	All	-
NEPSI (China)	Flameproof: Ex d IIC Ga/Gb Ex tb IIIC Db T 85°C	Note 1	T5: -50 °C to 85°C T6: -50 °C to 65°C
	Intrinsically Safe: Ex ia IIC Ga		T4: -50 °C to 70°C
	Nonincendive: Ex nA IIC Gc	Note 1	T4: -50 °C to 85°C
	Enclosure : IP 66/67	All	-
EAC Russia, Belarus and Kazakhstan	Flameproof: 1 Ex d IIC Ga/Gb T4 Ex tb IIIC Db T 85°C	Note 1	-50 °C to 85°C
	Intrinsically Safe: 0 Ex ia IIC Ga T4	Note 2a	-50 °C to 70°C
	Enclosure : IP 66/67	All	-

Notes:

- Operating Parameters:
Voltage= 11 to 42 V DC Current= 4-20 mA Normal

2. Intrinsically Safe Entity Parameters

a. Analog/ DE/ HART Entity Values:

$V_{max} = U_i = 30V$ $I_{max} = I_i = 105mA$ $C_i = 4.2nF$ $L_i = 984 \mu H$ $P_i = 0.9W$

Transmitter with Terminal Block Revision E or Later

$V_{max} = U_i = 30V$ $I_{max} = I_i = 225mA$ $C_i = 4.2nF$ $L_i = 0$ $P_i = 0.9W$

Note : Transmitter with Terminal Block Revision E or later

The revision is on the label that is on the module. There will be two lines of text on the label:

- First is the Module Part #: 50049839-001 or 50049839-002
- Second line has the supplier information, along with the REVISION:
XXXXXXX-EXXXX, THE "X" is production related, THE POSITION of the "E" IS THE REVISION.

Other Certification Options

Materials

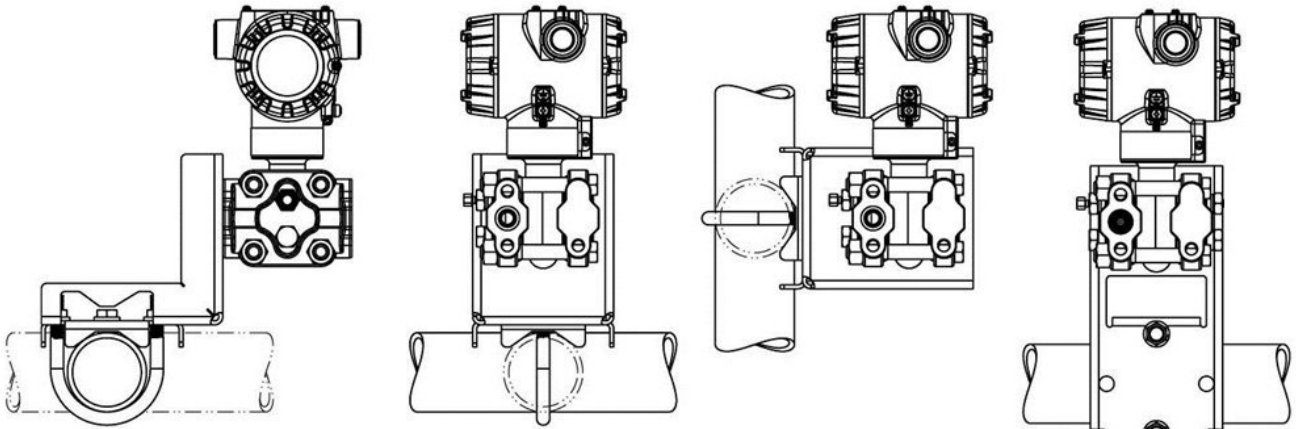
- NACE MRO175, MRO103, ISO15156

SIL 2/3 Certification	IEC 61508 SIL 2 for non-redundant use and SIL 3 for redundant use according to EXIDA and TÜV Nord Sys Tec GmbH & Co. KG under the following standards: IEC61508-1: 2010; IEC 61508-2: 2010; IEC61508-3: 2010.
------------------------------	---

Mounting & Dimensional Drawings

Reference Dimensions: $\frac{\text{millimeters}}{\text{inches}}$

Mounting Configurations: (Dual head design)



Dimensions: (Dual head design)

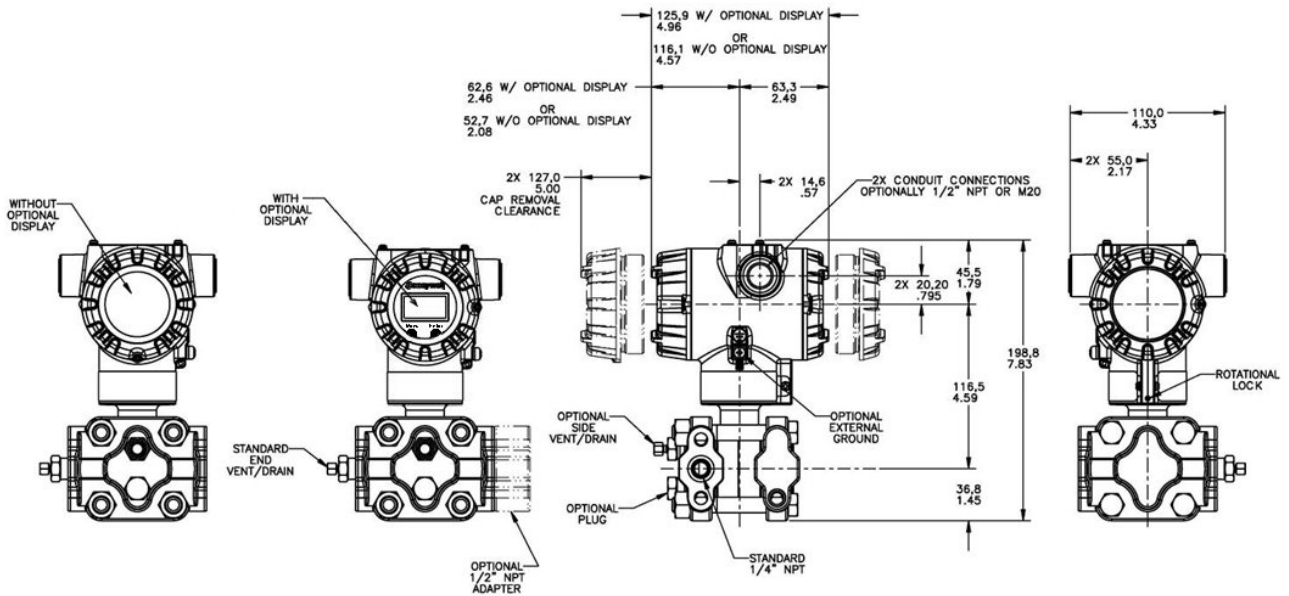
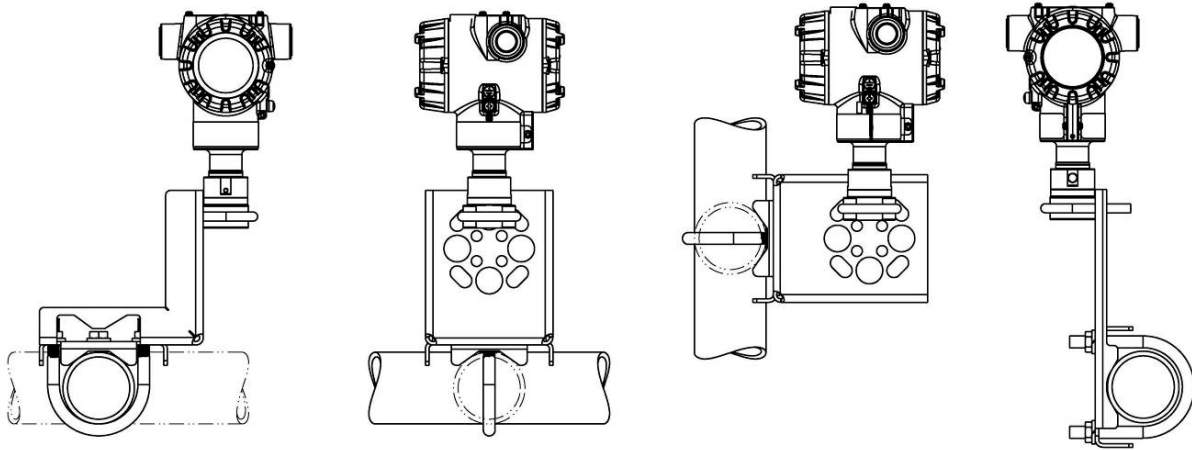


Figure 3 – Typical mounting dimensions of STG735, STG745 & STG775 for reference

Refer to the User's manual (34-ST-25-44) for full details on mounting and installation.

Reference Dimensions: $\frac{\text{millimeters}}{\text{inches}}$

Mounting Configurations (Inline Designs)



Dimension (Inline Design)

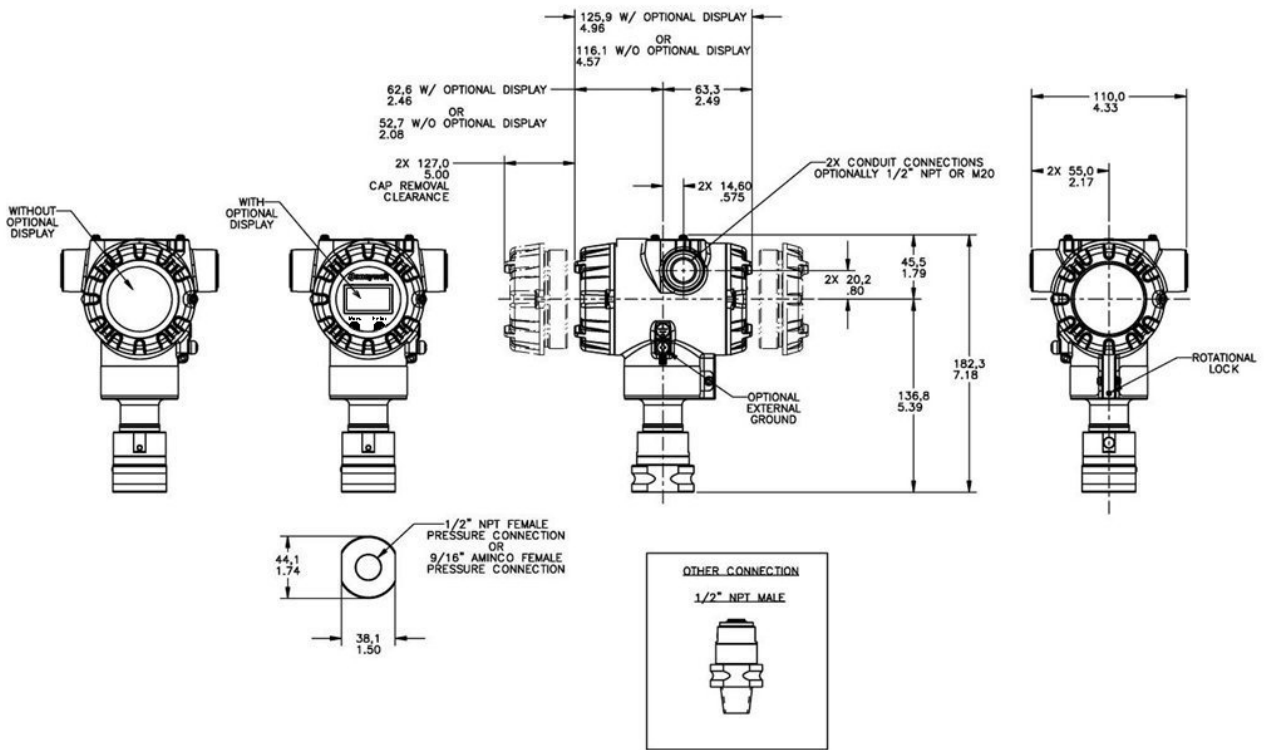


Figure 4 – Typical mounting dimensions of STG74S, STG77S, STG78S, & STG79S for reference

Refer to the User's manual (34-ST-25-44) for full details on mounting and installation.

Model Selection Guide

Model Selection Guides are subject to change and are inserted into the specifications as guidance only.

**Model STG700
Gauge Pressure Transmitters**

Model Selection Guide
34-ST-16-122 Issue 4

Instructions: Make selections from all Tables using column below the proper arrow. Asterisk indicates availability. Letter (a) refers to restrictions highlighted in the restrictions table. Tables delimited with dashes.
List Price: Price equals the sum of prices for all selections made.

Key I II III IV V VI VII VIII IX

STG7	---	-	---	-	---	-	---	-	---	-	---	-	---	-	0000
------	-----	---	-----	---	-----	---	-----	---	-----	---	-----	---	-----	---	------

KEY NUMBER	URL/Max Span	LRL	Min Span	Units
Gauge Dual Head	50 (3.5)	-14.7 (-1.0)	0.5 (.035)	psi (bar)
	500 (35)	-14.7 (-1.0)	5 (.35)	psi (bar)
	3000 (210)	-14.7 (-1.0)	30 (2.1)	psi (bar)
Gauge In-Line	50 (3.5)	-14.7 (-1.0)	0.5 (.035)	psi (bar)
	500 (35)	-14.7 (-1.0)	5 (.35)	psi (bar)
	3000 (210)	-14.7 (-1.0)	30(2.1)	psi (bar)
	6000 (420)	-14.7 (-1.0)	60 (4.2)	psi (bar)
	10000 (690)	-14.7 (-1.0)	100 (6.9)	psi (bar)

Selection	Availability			
STG735	↓			
STG745	↓			
STG775	↓			
STG73S		↓		
STG74S		↓		
STG77S			↓	
STG78S			↓	
STG79S				↓

TABLE I		METER BODY SELECTIONS			
a. Process Head & Diaphragm Materials	Process Head/Reference Head Material ^{1b}		Barrier Diaphragm Material		
	Plated Carbon Steel		316L SS Hastelloy [®] C - 276		
	316 Stainless Steel		316L SS Hastelloy C - 276		
	Hastelloy C - 276/316 Stainless Steel		Hastelloy C - 276		
b. Fill Fluid	Silicone Oil 200 Fluorinated Oil CTFE				
c. Process Connection	Size/Type		Material		
	9/16" Aminco		Same as Process Head		
	1/2" NPT (female)		Same as Process Head ^{1a}		
	1/2" NPT (male)		Same as Process Head		
d. Bolt/Nuts Materials	None		Same as Process Head		
	Carbon Steel		Same as Process Head		
	316 SS		Same as Process Head		
	Grade 660 (NACE A286) with NACE 304 SS Nuts		Same as Process Head		
	Grade 660 (NACE A286) Bolts & Nuts		Same as Process Head		
e. Vent/Drain Type/Location	Head Type		Vent Type	Location	Vent Material
	None		None	None	None
	Single Ended		None	None	None
	Single Ended		Standard Vent	Side	Matches Head Material ¹
	Single Ended		Center Vent	Side	Stainless Steel Only
	Dual Ended		Standard Vent	End	Matches Head Material ¹
	Dual Ended		Center Vent	End	Stainless Steel only
Dual Ended		Std Vent/Plug	Side/End	Matches Head Material ¹	
f. Gasket Materials	None				
	Teflon [®] or PTFE (Glass Filled)				
	Viton [®]				
	Graphite				

A	---	*	*				
B	---	*	*				
E	---	*	*	*	*	*	*
F	---	*	*	*	*	*	*
J	---	*	*	*	*	*	*
_1	---	*	*	*	*	*	*
_2	---	*	*	*	*	*	*

__A	---			*	*	*	*
__G	---	*	*	*	*	*	*
__H	---			*	*	*	*
__B	---			*	*	*	*
__0	---			*	*	*	*
__C	---	*	*				
__S	---	*	*				
__N	---	*	*				
__K	---	p	p				
__D	---	p	p				

__0	---			*	*	*	*
__1	---	*	*				
__2	---	*	*				
__3	---	t	t				
__4	---	*	*				
__5	---	t	t				
__6	---	*	*				
__0	---			*	*	*	*
__A	---	*	*				
__B	---	*	*				
__C	---	*	*				

¹ Except Carbon Steel Heads shall use 316SS Vent/Drain & Plugs and or 1/2" adapters
^{1a} STG735,745,775 supplied via 1/2" flange adapter same material as process head except carbon steel shall use 316 SS
^{1b} Reference head available with Dual Head Gage models only. In-Line Gage models are supplied with Process Head only.

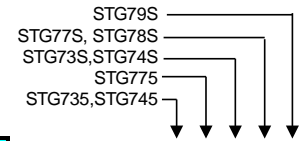
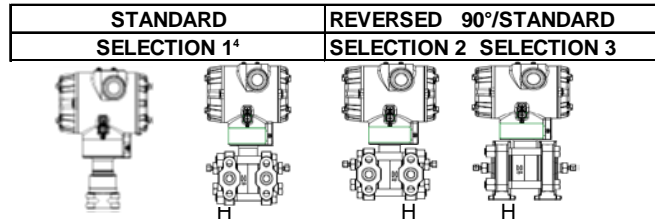


TABLE II Meter Body & Connection Orientation		
Head/Connect Orientation	Standard	High Side Left, Ref Side Right ² / Std Head Orientation
	Reversed	Ref Side Left, High Side Right ²
	90/Standard	High Side Left, Ref Side Right ² / 90° Head Rotation

1	*	*	*	*	*
2	*	*			
3	h	h			

TABLE III AGENCY APPROVALS	
Approvals	No Approvals Required <FM> Explosion proof, Intrinsically Safe, Non-incendive, & Dustproof CSA Explosion proof, Intrinsically Safe, Non-incendive, & Dustproof ATEX Explosion proof, Intrinsically Safe & Non-incendive IECEx Explosion proof, Intrinsically Safe & Non-incendive SAE/CCoE Explosion proof, Intrinsically Safe & Non-incendive INMETRO Explosion proof, Intrinsically Safe & Non-incendive NEPSI Explosion proof, Intrinsically Safe & Non-incendive EAC-Customs Union(Russia,Belarus and Kazakhstan)EX Approval Flameproof,Intrinsically Safe

0	*	*	*	*	*
A	*	*	*	*	*
B	*	*	*	*	p
C	*	*	*	*	*
D	*	*	*	*	*
E	*	*	*	*	*
F	*	*	*	*	*
G	*	*	*	*	*
I	*	*	*	*	*

TABLE IV TRANSMITTER ELECTRONICS SELECTIONS			
a. Electronic Housing Material & Connection Type	Material	Connection	Lightning Protection
	Polyester Powder Coated Aluminum	1/2 NPT	None
	Polyester Powder Coated Aluminum	M20	None
	Polyester Powder Coated Aluminum	1/2 NPT	Yes
	Polyester Powder Coated Aluminum	M20	Yes
	316 Stainless Steel (Grade CF8M)	1/2 NPT	None
	316 Stainless Steel (Grade CF8M)	M20	None
	316 Stainless Steel (Grade CF8M)	1/2 NPT	Yes
	316 Stainless Steel (Grade CF8M)	M20	Yes
b. Output/ Protocol	Analog Output		Digital Protocol
	4-20mA dc		HART Protocol
c. Customer Interface Selections	Indicator	Ext Zero,Span & Config Buttons	Languages
	None	None	None
	None	Yes (Zero/Span Only)	None
	Standard(w/Internal Zero,Span&Config buttons)	None	EN
	Standard(w/Internal Zero,Span&Config buttons)	Yes	EN

A __	*	*	*	*	*
B __	*	*	*	*	*
C __	*	*	*	*	*
D __	*	*	*	*	*
E __	*	*	*	*	*
F __	*	*	*	*	*
G __	*	*	*	*	*
H __	*	*	*	*	*

_ H _	*	*	*	*	*
-------	---	---	---	---	---

__ 0	*	*	*	*	*
__ A	*	*	*	*	*
__ S	*	*	*	*	*
__ T	*	*	*	*	*

TABLE V CONFIGURATION SELECTIONS			
a. Application Software	Diagnostics		
	Standard Diagnostics		
b. Output Limit, Failsafe & Write Protect Settings	Write Protect	Fail Mode	High & Low Output Limits³
	Disabled	High> 21.0mA dc	Honeywell Std (3.8 - 20.8 mA dc)
	Disabled	Low< 3.6mA dc	Honeywell Std (3.8 - 20.8 mA dc)
	Enabled	High> 21.0mA dc	Honeywell Std (3.8 - 20.8 mA dc)
	Enabled	Low< 3.6mA dc	Honeywell Std (3.8 - 20.8 mA dc)
c. General Configuration	General Configuration		
	Factory Standard		
	Custom Configuration (Unit Data Required from customer)		

1 __	*	*	*	*	*
------	---	---	---	---	---

_ 1 _	*	*	*	*	*
_ 2 _	*	*	*	*	*
_ 3 _	*	*	*	*	*
_ 4 _	*	*	*	*	*

__ S	*	*	*	*	*
__ C	*	*	*	*	*

² Left side/Right side as view ed from the customer connection perspective

³ NAMUR Output Limits are configurable by customer

⁴ Process connections w ill vary on In-Line Models



TABLE VI CALIBRATION & ACCURACY SELECTIONS			
a. Accuracy and Calibration	Accuracy	Calibrated Range	Calibration Qty
	Standard	Factory Standard	Single Calibration
	Standard	Custom (Unit Data Required)	Single Calibration

A	*	*	*	*	*
B	*	*	*	*	*

TABLE VII ACCESSORY SELECTIONS		
a. Mounting Bracket	Bracket Type	Material
	None	None
	Angle Bracket	Carbon Steel
	Angle Bracket	304 SS
	Angle Bracket	316 SS
	Marine Approved Bracket	304 SS
	Flat Bracket	Carbon Steel
	Flat Bracket	304 SS
	Flat Bracket	316 SS
Customer Tag Type		
b. Customer Tag	No customer tag	
	One Wired Stainless Steel Tag (Up to 4 lines 26 char/line)	
Unassembled Conduit Plugs & Adapters		
c. Unassembled Conduit Plugs & Adapters	No Conduit Plugs or Adapters Required	
	1/2 NPT Male to 3/4 NPT Female 316 SS Certified Conduit Adapter	
	1/2 NPT 316 SS Certified Conduit Plug	
	M20 316 SS Certified Conduit Plug	

0	---	*	*	*	*	*
1	---	*	*	*	*	*
2	---	*	*	*	*	*
3	---	*	*	*	*	*
4	---	*	*	*	*	*
5	---	*	*	*	*	*
6	---	*	*	*	*	*
7	---	*	*	*	*	*

_	0	_	*	*	*	*	*
_	1	_	*	*	*	*	*

_	_	A0	*	*	*	*	*
_	_	A2	n	n	n	n	n
_	_	A6	n	n	n	n	n
_	_	A7	m	m	m	m	m

TABLE VIII OTHER Certifications & Options: (String in sequence comma delimited (XX, XX, XX,....))	
Certifications & Warranty	No additional options
	NACE MR0175; MR0103; ISO15156 Process wetted parts only
	NACE MR0175; MR0103; ISO15156 Process wetted and non-wetted parts
	Marine (DNV,ABS,BV,KR,LR)
	EN10204 Type 3.1 Material Traceability
	Certificate of Conformance
	Calibration Test Report & Certificate of Conformance
	Certificate of Origin
	FMEDA (SIL 2/3) Certification
	Over-Pressure Leak Test Certificate (1.5X MAWP)
	Cert Clean for O ₂ or CL ₂ service per ASTM G93
	PM Certification ⁵
	Extended Warranty Additional 1 year
	Extended Warranty Additional 2 years
Extended Warranty Additional 3 years	
Extended Warranty Additional 4 years	

00	*	*	*	*	*	
FG	*	*	*	*	*	b
F7	c	c	c	c	c	
MT	d	d	d	d	d	
FX	*	*	*	*	*	
F3	*	*	*	*	*	b
F1	*	*	*	*	*	
F5	*	*	*	*	*	
FE	j	j	j	j	j	
TP	*	*	*	*	*	
OX	e	e	e	e	e	
PM	*	*	*	*	*	
01	*	*	*	*	*	b
02	*	*	*	*	*	
03	*	*	*	*	*	
04	*	*	*	*	*	

TABLE IX Manufacturing Specials	
Factory	Factory Identification

0	0	0	0	*	*	*	*
---	---	---	---	---	---	---	---

RESTRICTIONS

Restriction Letter	Available Only with		Not Available with	
	Table	Selection(s)	Table	Selection(s)
c	Id	___ 0,N,K,D ___		
d	Iva	C, D, G, H __	VIIa	1, 2, 3, 5, 6, 7 ___
e	Ib	_ 2 _		
h			Ie	4, 5, 6
			VIIa	1, 2, 3, 4, 5, 6, 7 ___
j			Vb	_ 1,2 _
m	IV a	B,D,F,H __		
n	IV a	A,C,E,G __		
p			III	B- No CRN number available
t			Ia	J _
b	Select Only one option from this group			

⁵ The PM option is available on all Smartline Pressure Transmitter process wetted parts such as process heads, flanges, bushings and vent plugs except plated carbon steel process heads and flanges. PM option information is also available on diaphragms except STG and STA in-line construction pressure transmitters.

FIELD INSTALLABLE ACCESSORY KITS

Description
Terminal Strip w/o Lightning Protection Kit for HART
Terminal Strip w/Lightning Protection for HART Modules
HART Electronics Module
HART Electronics Module w/connection for external configuration buttons
Standard Display Module

Kit Number
50129832-501
50129832-502
50129828-501
50129828-502
50126003-501

Note P - For part number pricing please refer to WEB Channel

PRODUCT MANUALS

Description
ST 700 Smart Transmitter User Manual - English
ST 700 Smart Transmitter HART Communications Manual - English
ST 700 Smart Transmitter Safety Manual - English

Part Number
34-ST-25-44
34-ST-25-47
34-ST-25-37

All product documentation is available at www.honeywellprocess.com.

Sales and Service

For application assistance, current specifications, pricing, or name of the nearest Authorized Distributor, contact one of the offices below.

ASIA PACIFIC

Honeywell Process Solutions,
(TAC) dfs-tac-support@honeywell.com

Australia

Honeywell Limited
Phone: +(61) 7-3846 1255
FAX: +(61) 7-3840 6481
Toll Free 1300-36-39-36
Toll Free Fax:
1300-36-04-70

China – PRC - Shanghai

Honeywell China Inc.
Phone: (86-21) 5257-4568
Fax: (86-21) 6237-2826

Singapore

Honeywell Pte Ltd.
Phone: +(65) 6580 3278
Fax: +(65) 6445-3033

South Korea

Honeywell Korea Co Ltd
Phone: +(822) 799 6114
Fax: +(822) 792 9015

EMEA

Honeywell Process Solutions,
Phone: + 80012026455 or
+44 (0)1344 656000

Email: (Sales)

FP-Sales-Apps@Honeywell.com

or

(TAC)

dfs-tac-support@honeywell.com

AMERICA'S

Honeywell Process Solutions,
Phone: (TAC) 1-800-423-9883 or
215/641-3610
(Sales) 1-800-343-0228

Email: (Sales)

FP-Sales-Apps@Honeywell.com

or

(TAC)

dfs-tac-support@honeywell.com

Specifications are subject to change without notice.

Honeywell

For more information

To learn more about SmartLine Pressure Transmitters visit www.honeywellprocess.com
Or contact your Honeywell Account Manager

Process Solutions

Honeywell
1250 W Sam Houston Pkwy S
Houston, TX 77042

Honeywell Control Systems Ltd
Honeywell House, Skimped Hill Lane
Bracknell, England, RG12 1EB

Shanghai City Centre, 100 Jungi Road
Shanghai, China 20061

www.honeywellprocess.com

34-ST-03-122

March 2020

©2020 Honeywell International Inc.

MEMBERS OF
DGF
GROUP NV



Honeywell

**PLATINUM
HPS
DISTRIBUTOR**