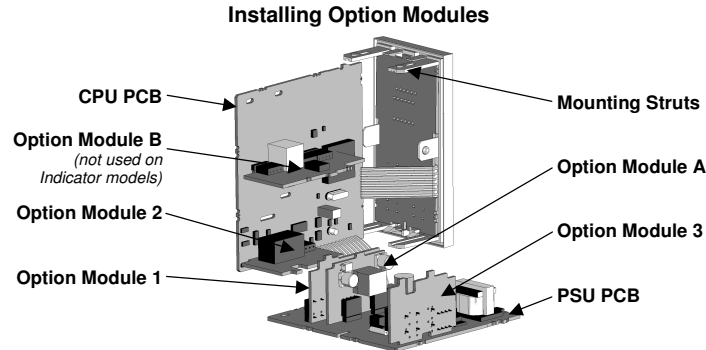


HONEYWELL UDI1700 MICRO-PRO UNIVERSAL DIGITAL INDICATOR PRODUCT MANUAL (51-52-25-138)

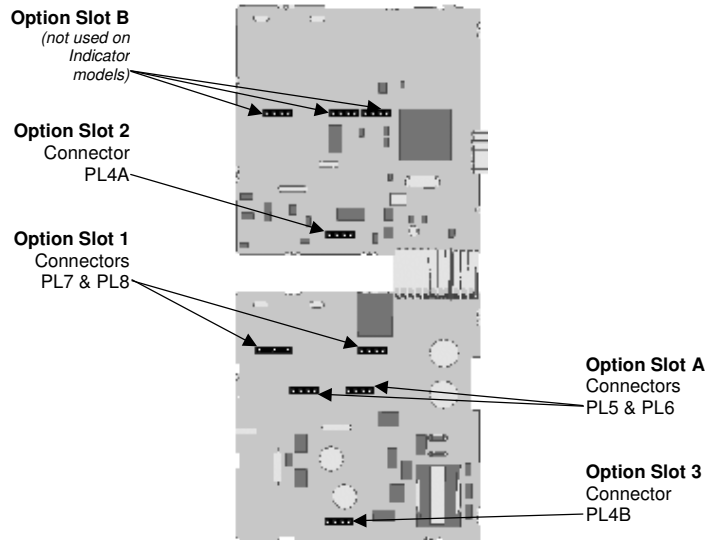
CAUTION: Installation should be only performed by technically competent personnel. Local Regulations regarding electrical installation & safety must be observed.

1. INSTALLATION



To access modules 1 or A, first detach the PSU and CPU boards from the front by lifting first the upper, and then lower mounting struts. Gently separate the boards. a. Plug the required option modules into the correct connectors, as shown below.

Option Module Connectors

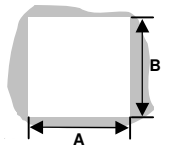


Panel-Mounting

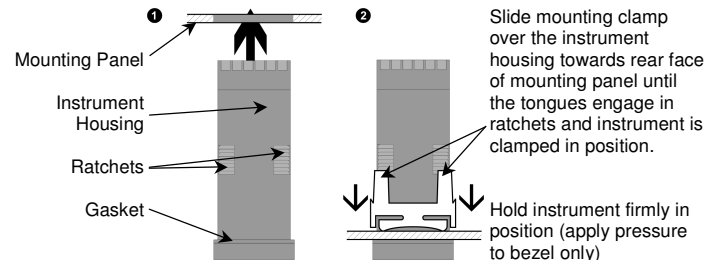
The mounting panel must be rigid, and may be up to 6.0mm (0.25inch) thick. Cut-out size is:

Cut-Out Dim A 92mm

Cut-Out Dim B 45mm



For n multiple instruments mounted side-by-side, cut-out A is 96n-4mm

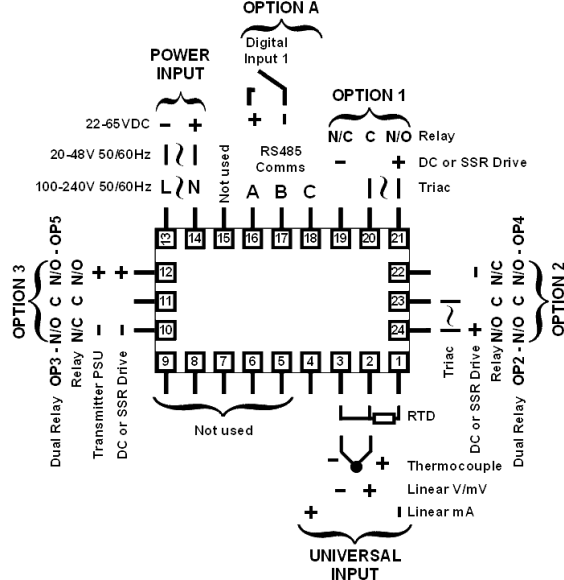


CAUTION: Do not remove the panel gasket; it is a seal against dust and moisture.

Rear Terminal Wiring

CAUTION: Check information label on housing for correct operating voltage before connecting supply to Power Input Fuse: 100 - 240V ac - 1amp anti-surge 24/48V ac/dc - 315mA anti-surge

USE COPPER CONDUCTORS (EXCEPT FOR T/C INPUT) Single Strand wire gauge: Max 1.2mm (18SWG)



This diagram shows all possible option combinations. The actual connection required depends on the options fitted.

Note: At first power-up the message 0000 Conf is displayed, as described in section 5 of this manual. Access to other menus is denied until configuration mode is completed

2. SELECT MODE

Select mode is used to access the configuration and operation menu functions. It can be accessed at any time by holding down SETUP and pressing The SLCT legend is shown for 1 second, followed by the legend for the current mode.

Table with 5 columns: Mode, Legend, Set Value, Description, Default Unlock Codes, Units Display. Rows include Operator (OPtr), Set Up (SEtP), Configuration (ConF), and Product Info (nFo).

Note: Automatic return to Operator Mode after 2 minutes without key activity.

3. CONFIGURATION MODE

First select Configuration mode from Select mode (refer to section 2). Press SETUP to scroll through the parameters. While this key is pressed, and up to 1 second after, the parameter legend is shown, followed by the current value.

Table with 5 columns: Parameter, Legend, Set Value, Adjustment Range & Description, Default Value, Units Display. Includes Input Range/Type and a table for codes.

Large table mapping codes to input types and ranges. Columns: Code, Input Type & Range, Code, Input Type & Range, Code, Input Type & Range. Includes codes like bL, bF, cL, cF, jL, jF, kL, kF, pL, pF, rL, rF, sL, sF, tL, tF, p24L, tF.

Note: Decimal point shown in table indicates temperature resolution of 0.1 °

Large parameter table with columns: Parameter, Legend, Set Value, Adjustment Range & Description, Default Value, Units Display. Includes parameters for Scale Range, Decimal point position, Linear Range, Alarm types (1-5), Output 1 Usage, and Output 1 PV Retransmit Type.

Parameter table with columns: Parameter, Legend, Set Value, Adjustment Range & Description, Default Value, Units Display. Includes parameters for Retransmit OP 1, Output 2 Usage, TxPSU 1 level, Output 2 PV Retransmit Type, Retransmit OP2, Retransmit OP2 Scale Minimum, TxPSU 2 level, Output 3 Usage, Output 3 PV Retransmit Type, Retransmit OP3, Retransmit OP3 Scale maximum, Retransmit OP3 Scale minimum, TxPSU 3 level, Output 4 Usage, Output 5 Usage, Display Strategy, Display Colour, Serial Communication Protocol, Comms Bit Rate, Comms Address, Comms Write, Digital Input Usage, and Config Lock.



