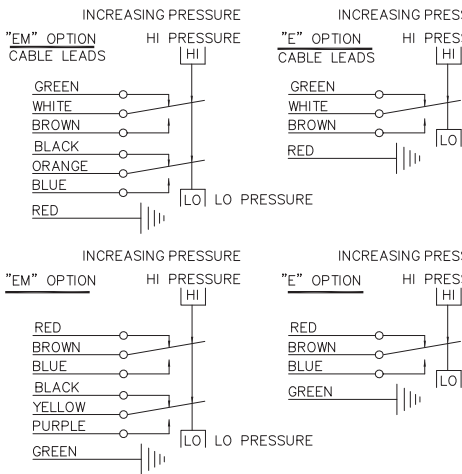


WIRING DIAGRAMS

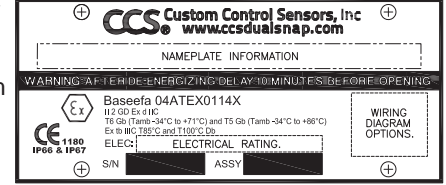


NAMEPLATE ELECTRICAL RATING

EL. RATING 1	"E" OPTION "EM" OPTION	11 AMPS 1/4 HP 125, 250 VAC 5 AMPS 30 VDC; 0.5 A 125 VDC
EL. RATING 2	"E" OPTION "EM" OPTION	5 AMPS 125, 250 VAC; 5 AMPS 30 VDC
EL. RATING 3	"E" OPTION-SOLID GOLD CONTACTS "EM" OPTION-SOLID GOLD CONTACTS	1 AMP 125 VAC; 1 AMP 30 VDC

CCS switches are designed to provide long life and maintain excellent set-point accuracy under adverse environmental conditions.

Check Nameplate on the switch for maximum proof (overpressure) or vacuum limits, as shown.



I. GENERAL:

- Observe all Warnings and Cautions contained on the attached Warning Sticker, the Warning Declaration and the CCS Catalog.
- Follow all applicable Governmental or other Codes or Regulations.
- Special Conditions for Safe Use: The integral free lead wires or cable shall be mechanically protected and terminated in a suitable junction or terminal facility.

II. MOUNTING:

- Units may be mounted in any position on a flat surface using (2) mounting holes provided and M6 screws at least 20 mm. long.

WARNING: RELEASE ALL PRESSURE PRIOR TO INSTALLATION OR REMOVAL OF THIS DEVICE. DO NOT EXCEED NAMEPLATE LISTED PROOF PRESSURES.

- Units are supplied with female NPT ports suitable for connection to NPT pipe nipples or NPT taper threaded pipe. CCS recommends use of either a union or bendable tubing. This will eliminate excessive strain on the housing. Consult factory for mounting instruction of other port threads.
- Pipe joint sealing compound is preferred over Teflon tape. However, either method of sealing is acceptable with proper care to avoid introducing sealing material into pressure switch or plumbing.

III. ELECTRICAL CONNECTIONS:

WARNING: DO NOT MAKE ELECTRICAL CONNECTIONS WHILE ELECTRICAL POWER IS ON. THIS PRODUCT MUST BE INSTALLED BY A QUALIFIED ELECTRICIAN TO AVOID RISK OF ELECTROCUTION.

- Electrical conductors are provided within a male conduit connection.
- When making wire connections disconnect electrical power. Check for multiple circuits.
- Make electrical connections in accordance with the appropriate codes and regulations. Keep as much wire as possible for a service loop to facilitate service, see wiring diagrams.
- Proper grounding must be accomplished by use of the illustrated earthing terminal and ground wire as provided. It is the responsibility of the user to ensure proper and effective arrangements are made also for the earthing of the electrical assemblies supplied with 3 and 6 wire cable versions of equipment either by using the external earth facility provided as the means for effective earth fault protection and equi-potential bonding functions or some other equally effective method.

IV. ADJUSTMENT:

Pressure settings are externally adjustable. (Not applicable if units are factory set)

- If the electrical circuit cannot be used for testing, disconnect electrical power and use a suitable circuit tester or light box. Loosen access cover and turn adjustment screw using screwdriver slot as illustrated; facing the screw turn counter clockwise to increase settings or turn clockwise to decrease setting.
- Re-tighten access cover.
- Reconnect electrical circuit.
- Return power to unit.

FOR SERVICE OR ORDERING INFORMATION

Consult factory or authorized factory representative. Specify full catalog part number (with optional modification) and factory set-point.

WARRANTY

All CCS products and services are sold subject to: "CCS standard terms and conditions of sale".

Custom Control Sensors, Inc
21111 Plummer Street
Chatsworth, CA 91311
Tel: (818) 341-4610 • Fax: (818) 709-0426
<http://www.ccsdualsnap.com>

WARNING DECLARATION

If this switch is used to protect equipment or personnel from unsafe pressure or to guard against the hazardous release of contained substances it must be installed and operated in accordance with applicable codes, regulations and standards. This switch must be used in conjunction with system design(s) or procedure(s) necessary to mitigate any hazard resulting from its failure. Conform to installation instructions accompanying this switch. Individuals who ignore this warning may suffer serious or fatal injury and do so at their own risk. Custom Control Sensors is not liable for any misuse, abuse, suitability or adequacy of user's application of the switch. Service by qualified personnel only.