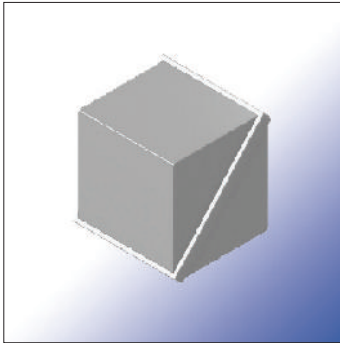


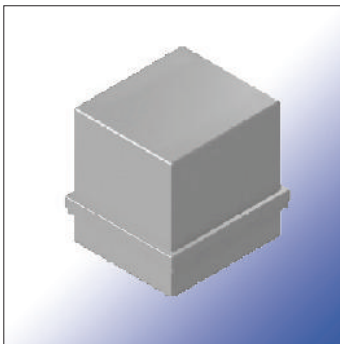
# Rigid instrumentation protection

## GRP enclosures series 22 - 55

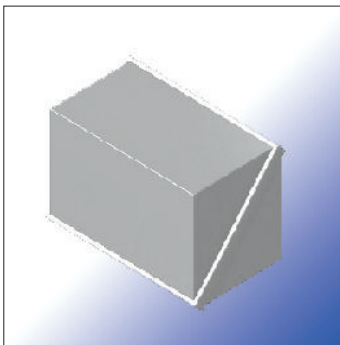
DP Systems enclosures are mechanically moulded from glass reinforced polyester using metal matching moulds with a satin gloss external and internal finish.



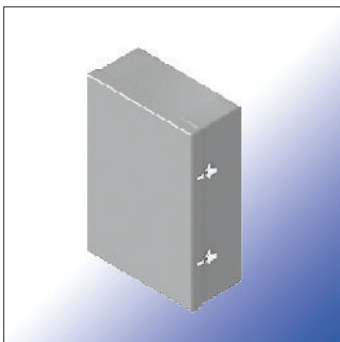
Series 22			
Weight (kg)	Dimensions		Description
15	Series 22-1	Series 22-1A	cuboid-shaped with diagonal split between lid and base.
	Width: 340 mm	Width: 430 mm	
	Height: 430 mm	Height: 430 mm	
	Depth: 400 mm	Depth: 400 mm	



Series 33			
Weight (kg)	Dimensions		Description
17	Width: 390 mm	cuboid-shaped with horizontal split between lid and base.	
	Height: 430 mm		
	Depth: 430 mm		



Series 44-1			
Weight (kg)	Dimensions		Description
18	Width: 700 mm	Longitudinal shape with diagonal split between lid and base.	
	Height: 430 mm		
	Depth: 400 mm		



Series 55-1			
Weight (kg)*	Dimensions*		Description
21	Width: 440 mm	Rectangular shaped with opening door.	
	Height: 640 mm		
	Depth: 270 mm		

\* Other sizes and weight available.