

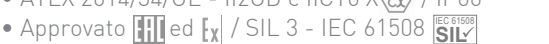


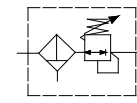


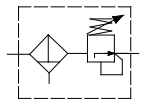
## AISI316 1/4"NPT Instrument Filter Regulator – FR serie

Filtro Regolatore da 1/4"NPT in AISI316 – serie FR

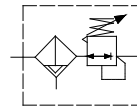
- Suitable for automation equipment to onshore, offshore, pharmaceutical, medical and food applications
- Full material traceability
- Excellent stability and repeatability
- Accurate adjustment and high flow capacity
- ATEX 2014/34/UE - II2GD c IICT6 X<sub>Ex</sub> / IP66
-  approved / SIL 3 - IEC 61508 
- Adatto per automazione in applicazioni marine, petrolchimiche, farmaceutiche, medicali e alimentari
- Completa rintracciabilità dei materiali
- Eccellente stabilità e ripetibilità
- Precise regolazioni ed elevate portate
- ATEX 2014/34/UE - II2GD c IICT6 X<sub>Ex</sub> / IP66
- Approvato  ed  / SIL 3 - IEC 61508 



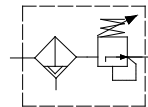
Manual Drain Relieving



Manual Drain Non Relieving



Automatic Drain Relieving



Automatic Drain Non Relieving

Media / Fluido	Compressed air, inert gases, sweet and sour gases
Port thread / Connessioni	1/4"NPT
Gauge Connection Connessione manometro	1/8"NPT (1/4"NPT option)
Filtering element Elemento filtrante	5micron in SS316 std (25 & 40micron available)
Max inlet pressure Pressione massima di ingresso	30bar
Drain valve / Scarico condensa	Manual or automatic
Flow Rate (@10bar inlet, 6bar regulated, delta P=1bar)/ Portata	940dm <sup>3</sup> /min Cv=0.9
Working Temperature Temperatura di esercizio	-20°C up to 80°C (NBR); -25°C up to 90°C (FKM); -40°C up to 80°C (EPDM) *
Regulated pressure Pressioni regolate	0/2, 0/4, 0/8, 0/10bar

Air supply must be dry enough to avoid ice formation at temperatures below +2°C (+35°F).

\*Special version available for -55°C up to 90°C

It provides excellent regulation and filtering for a wide range of applications. Rugged and corrosion-resistant – made of 316/316L stainless steel -Compact small package size – light weight

Permette un'accurata regolazione e filtraggio per una vasta gamma di applicazioni. Robusto e resistente alla corrosione – Costruito AISI316/316L - Dimensioni di ingombro ridotte – Leggero

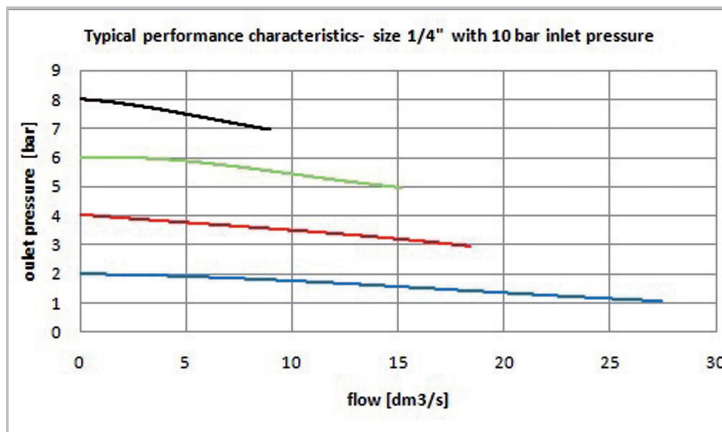
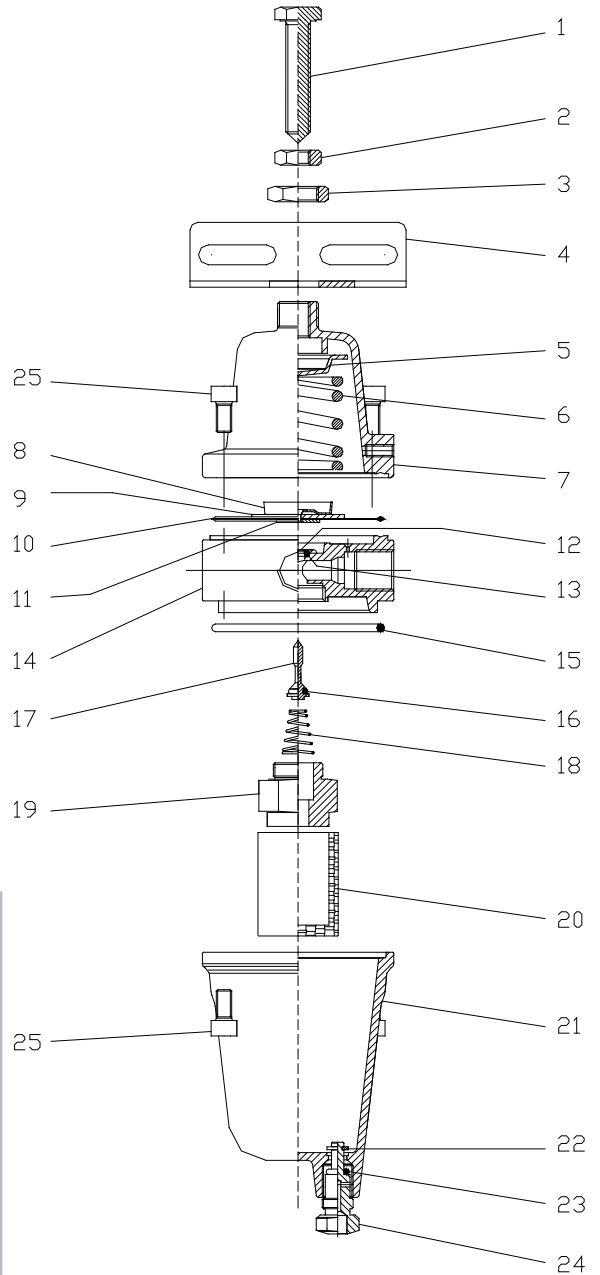
BUILDING MATERIALS	Materiali costruttivi
Body, bonnet, bowl and internals in 316/316L stainless steel to NACE MR0175	Corpo, coperchio, tazza e particolari interni in AISI316/316L conforme ai requisiti dello standard NACE MR0175
Bracket, lock and panel nuts, fixing screws in AISI316 stainless steel	Vite di regolazione, staffa, dadi di bloccaggio e pannello, viti di fissaggio in acciaio inossidabile AISI316
Diaphragm and valve assembly in elastomer and AISI316 stainless steel	Assieme diaframma ed assieme valvola in elastomero ed acciaio inossidabile AISI316
5, 25&40micron filtering element in sinterized AISI316 ss; Coalescing filtering element in bonded micro-fibre	Elementi filtranti da 5, 25 e 40micron in AISI316 sinterizzato; elemento filtrante a coalescenza in micro-fibra
Valve spring, adjustment spring in AISI316 stainless steel	Molle valvola e di regolazione in acciaio inossidabile AISI316
Elastomeric seals	Guarnizioni elastomeriche

## Item description

Descrizione item

### Pos. Description - Descrizione

1. Adjusting screw / Vite di regolazione
2. Lock nut / Dado bloccaggio vite
3. Panel nut / Dado staffa
4. Bracket / Staffa
5. Upper spring rest / Sede superiore molla
6. Spring / Molla di regolazione
7. Bonnet / Coperchio
8. Lower spring guide / Guida molla inferiore
9. Lower spring rest / Sede inferiore molla
10. Diaphragm / Diaframma
11. Valve seat / Sede valvola
12. Ring / Arresto
13. O'ring valve steam / O'ring guida valvola
14. Body Corpo
15. O'ring (bowl) / O'ring tazza
16. O'ring (valve) / O'ring valvola
17. Valve / Corpo valvola
18. Spring valve / Molla valvola
19. Filter element support / Supporto elemento filtrante
20. Element / Elemento filtrante
21. Bowl / Tazza
22. Ring / Anello benzin
23. O'ring (drain) / O'ring rubinetto
24. Manual drain / Rubinetto di scarico
25. Screw (M5x8) Vite di fissaggio M5x8



## Accessories and repair kit

Accessori e ricambi

Maintenance kit / Kit manutenzione	Items K-FR04-* <b>-SS</b> -** [1/4"]
Pressure gauge DN40mm, all SS, Bar+psi+kpa range / Manometro DN40mm, tutto inox, scala Bar+psi+kpa	0-2,5 bar MBS6P4S2PN04 0-4bar MBS6P4S2PN05 0-10bar MBS6P4S2PN07
Bracket and lock nut / Staffa e Dado	SQ-FR04

\* Refers to filter element option: 1→5 micron 2→25 micron 3→40 micron 4→coalescing

\*\* Refers to seals type:

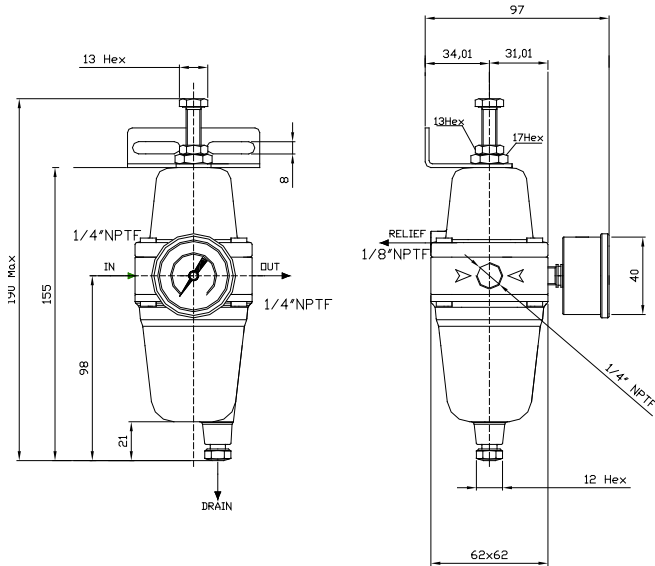
FK→FKM NB→NBR LT→EPDM FL→Low temperature compound HN→HNBR

## Overall dimension

Dimensioni di ingombro

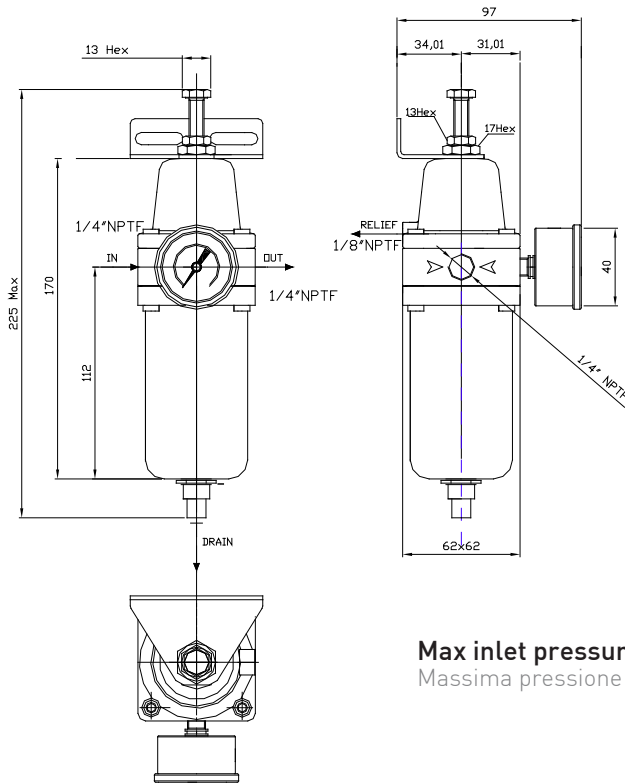
### Manual drain

Scarico manuale



### Automatic drain

Scarico automatico



**Max inlet pressure for automatic drain 16bar**

Massima pressione di ingresso con scarico automatico 16bar

# Ordering information

## Come ordinare

TYPE	SIZE	RANGE	ACCESSORIES
F= Filter FR= Filter Regulator R= Regulator FM= Mini-filter* TF= Tee Filter* BP= Back Pressure* SV= Switch Valve 2/2* S3= Switch Valve 3/2* * (only 1/4" NPT)	04= 1/4" NPT* 06= 3/8" NPT 08= 1/2" NPT 12= 3/4" NPT 16= 1" NPT 20= 1" 1/4" NPT 24= 1" 1/2" NPT 32= 2" NPT	0= None 1= 0.2-2 bar 2= 0.2-4 bar 3= 0.4-8 bar 4= 0.4-10 bar 6= 4-25 bar 7= 4-35 bar	0= None 2= SS bracket kit 3= Panel nut&handwheel 4= Customised Tag 5= SS bracket kit + nut&hanwheel 6= SS bracket kit+custom.Tag 8= CS bracket kit

FR 06 3 1 1S 5 6 SS FK 2 # #

### FILTER ELEMENT

- 0= None
- 1= 5 micron
- 2= 25 micron
- 3= 40 micron
- 4= coalescing

### PRESSURE GAUGE

- 0= None
- 1S= AISI316 case (SS316 connection)
- 1B= AISI304 case (brass connection)

### OPTION

- 00= None
- 05= No relieving
- 06= 1/4" gauge port
- 07= Automatic drain
- 56= No relieving 1/4" gauge port
- 57= No relieving Automatic drain
- 67= 1/4" gauge port Automatic drain
- X= Special

### DIAPHRAGM & SEALS MATERIAL

- FK= FKM (WT-25° +90°C)
- NB= NBR (WT-20° +80°C)
- LT= EPDM (WT-40° +80°C)
- FL= Special compound (WT-55° +90°C)
- HN= HNBR (WT from -55°) suitable for gas

### MATERIAL

- SS= 316-316L Stainless steel
- AL= Copper free aluminum alloy
- SP= Special

Specials

### CODE EXAMPLES



**3/8"NPT, SS316, 0 to 8 bar range, filter regulator, with 40 micron filtering element, relieving, SS pressure gauge, automatic drain, ss bracket kit and FKM diaphragm & seals**  
 Filtro regolatore da 3/8"NPT in AISI316, range regolato 0/8 bar, elemento filtrante da 40 micron, manometro tutto inox, relieving, scarico condensa automatico, staffa inox, diaframma e tenute in FKM



**3/8"NPT, SS316, 0 to 8 bar range, filter regulator, with 5 micron filtering element, relieving and FKM diaphragm & seals**  
 Filtro regolatore da 3/8"NPT in AISI316, range regolato 0/8 bar, elemento filtrante da 5 micron, relieving, diaframma e tenute in FKM



Distributor:



**De Gidts & Feldman BV**  
 The Netherlands  
 www.dgfg.nl