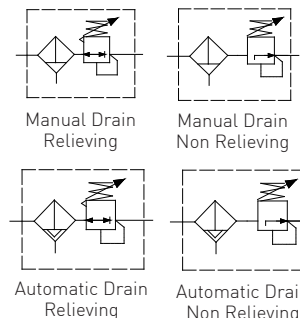


## AISI316 3/8"-1/2"NPT Instrument Filter Regulator – FR serie

Filtro Regolatore da 3/8" e 1/2"NPT in AISI316 – serie FR

- Suitable for automation equipment to onshore, offshore, pharmaceutical, medical and food applications
- Full material traceability
- Excellent stability and repeatability
- Accurate adjustment and high flow capacity
- ATEX 2014/34/UE - II2GD c IICT6 X / IP66
- & approved / SIL 3 - IEC 61508
- Adatto per automazione in applicazioni marine, petrolchimiche, farmaceutiche, medicali e alimentari
- Completa rintracciabilità dei materiali
- Eccellente stabilità e ripetibilità
- Precise regolazioni ed elevate portate
- ATEX 2014/34/UE - II2GD c IICT6 X / IP66
- Approvato ed / SIL 3 - IEC 61508



Media / Fluido	Compressed air, inert gases, sweet and sour gases
Port thread / Conessioni	3/8"-1/2"NPT
Gauge Connection Connessione manometro	1/8"NPT (1/4"NPT option)
Filtering element Elemento filtrante	5, 25,40 micron in SS316 std
Max inlet pressure / Pressione massima di ingresso	30bar
Drain valve/ Scarico condensa	Manual or automatic
Flow rate (@10bar inlet, 6bar regulated, delta P=1bar) / Portata	4500dm3/min Cv=4.5
Working temperature / Temperatura di esercizio	-20°C up to 80°C (NBR); -25°C up to 90°C (FKM); -40°C up to 80°C (EPDM) *
Regulated pressure Pressioni regolate	0/2, 0/4, 0/8, 0/10bar

Air supply must be dry enough to avoid ice formation at temperatures below +2°C [+35°F].

\*Special version available for -55°C up to 90°C

It provides excellent regulation and filtering for a wide range of applications. Rugged and corrosion-resistant – made of 316/316L stainless steel -Compact small package size – light weight / Permette un'accurata regolazione e filtraggio per una vasta gamma di applicazioni. Robusto e resistente alla corrosione – Costruito AISI316/316L - Dimensioni di ingombro ridotte – Leggero

BUILDING MATERIALS	Materiali costruttivi
Body, bonnet, bowl and internals in stainless steel AISI316L to NACE MR01-75	Corpo, coperchio, tazza e particolari interni in AISI316L conforme allo std NACE MR01-75
Bracket, lock and panel nuts, fixing screws in AISI316 stainless steel	Vite di regolazione, staffa, dadi di bloccaggio e pannello, viti di fissaggio in acciaio inossidabile AISI316
Diaphragm and valve assembly in elastomer and AISI316 stainless steel	Assieme diaframma ed assieme valvola in elastomero ed acciaio inossidabile AISI316
5, 25&40micron filtering element in sinterized AISI316 ss; Coalescing filtering element in bonded micro-fibre	Elementi filtranti da 5, 25 e 40micron in AISI316 sinterizzato; elemento filtrante a coalescenza in micro-fibra
Valve spring, adjustment spring in AISI316SS	Molle valvola e di regolazione in AISI316
Elastomeric seals	Guarnizioni elastomeriche

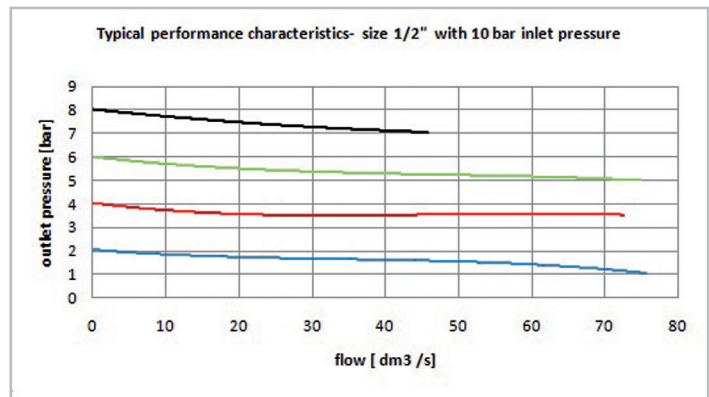
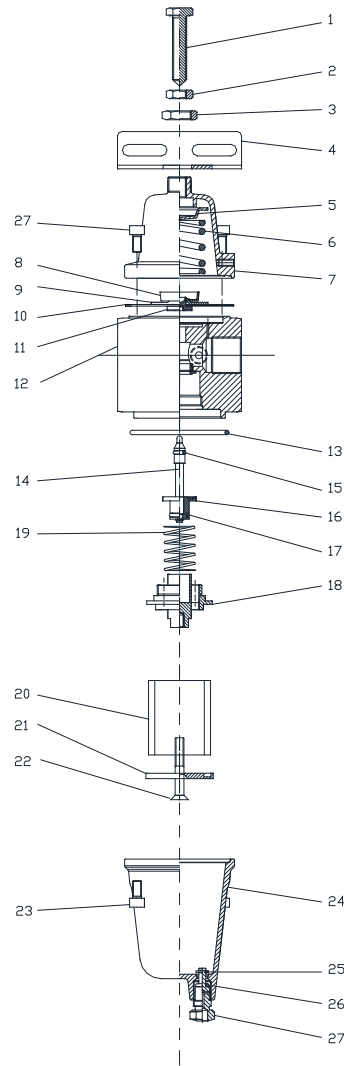
BT-FR8SS/C16A

## Item description

Descrizione item

### Pos. Description - Descrizione

1. Adjusting screw / Vite di regolazione
2. Lock nut / Dado bloccaggio vite
3. Panel nut / Dado staffa
4. Bracket / Staffa
5. Upper spring rest / Sede superiore molla
6. Spring / Molla di regolazione
7. Bonnet / Coperchio
8. Lower spring guide / Guida molla inferiore
9. Lower spring rest / Sede inferiore molla
10. Diaphragm / Diaframma
11. Valve seat / Sede valvola
12. Body / Corpo
13. O'ring (Bowl) / O'ring tazza
14. Valve stem /Stelo valvola
15. O'ring (valve stem) /O'ring stelo valvola
16. Valve Corpo valvola
17. O'ring (valve body) O'ring corpo valvola
18. Filter element support / Supporto elemento filtrante
19. Spring valve /Molla valvola
20. SS316 Filtering element / Elemento filtrante in SS316
21. SS Filtering Element plug / Fondello elemento filtrante SS
22. SS Filtering element screw / Vite elemento filtrante
23. Bowl screw (M5x8) / Vite di fissaggio tazza M5x8
24. Bowl / Tazza
25. Ring / Anello benzin
26. O'ring (drain) / O'ring rubinetto
27. Manual drain / Rubinetto di scarico



## Accessories and repair kit

Accessori e ricambi

Maintenance kit / Kit manutenzione	Items K-FR06-0-SS-** [3/8"] K-FR08-0-SS-** [1/2"]
Pressure gauge DN40mm, all inox, Bar+psi+kpa range / Manometro DN40mm, tutto inox, scala Bar+psi+kpa	0-2,5 bar MBS6P4S2PN04 0-4bar MBS6P4S2PN05 0-10bar MBS6P4S2PN07

\* Refers to filter element option: 1→5 micron 2→25 micron 3→40 micron 4→coalescing

\*\* Refers to seals type:

FK→FKM NB→NBR LT→EPDM FL→Low temperature compound HN→HNBR

**Overall dimension**

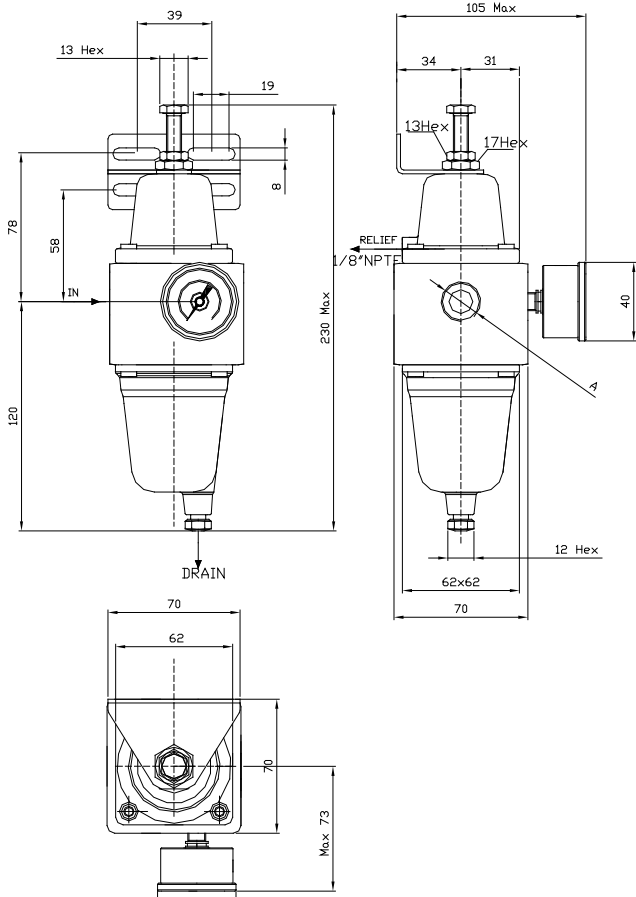
Dimensioni di ingombro

**Manual drain**

Scarico manuale

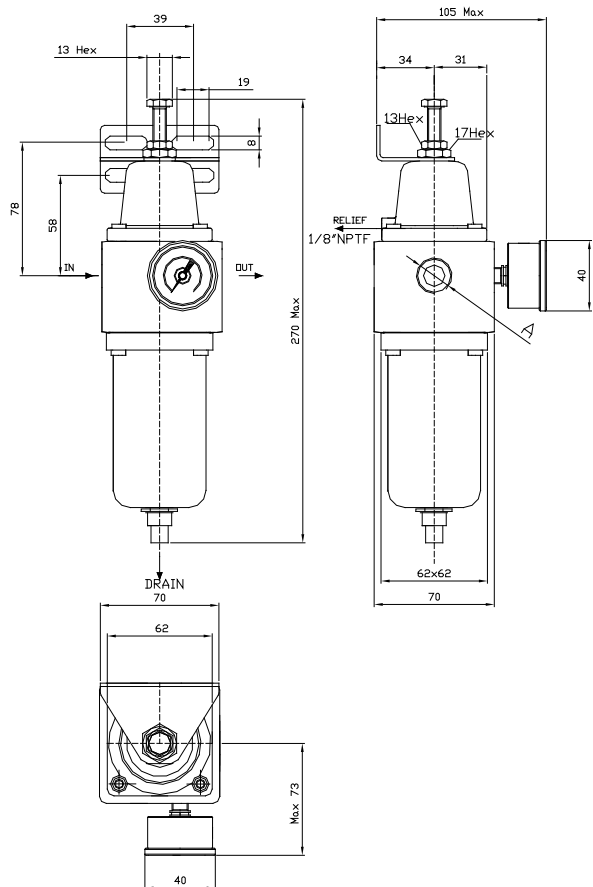
FR06 A = 3/8"

FR08 A = 1/2"



**Automatic drain**

Scarico automatico



**Max inlet pressure for automatic drain 16bar**

Massima pressione di ingresso con scarico automatico 16bar

www.sitecna.eu

# Ordering information

## Come ordinare

TYPE	SIZE	RANGE	ACCESSORIES
F= Filter FR= Filter Regulator R= Regulator FM= Mini-filter* TF= Tee Filter* BP= Back Pressure* SV= Switch Valve 2/2* S3= Switch Valve 3/2* * (only 1/4" NPT)	04= 1/4" NPT* 06= 3/8" NPT 08= 1/2" NPT 12= 3/4" NPT 16= 1" NPT 20= 1" 1/4" NPT 24= 1" 1/2" NPT 32= 2" NPT	0= None 1= 0.2-2 bar 2= 0.2-4 bar 3= 0.4-8 bar 4= 0.4-10 bar 6= 4-25 bar 7= 4-35 bar	0= None 2= SS bracket kit 3= Panel nut&handwheel 4= Customised Tag 5= SS bracket kit + nut&hanwheel 6= SS bracket kit+custom.Tag 8= CS bracket kit

FR 06 3 1 1S 5 6 SS FK 2 # #

**FILTER ELEMENT**  
0= None  
1= 5 micron  
2= 25 micron  
3= 40 micron  
4= coalescing

**PRESSURE GAUGE**  
0= None  
1S= AISI316 case (SS316 connection)  
1B= AISI304 case (brass connection)

**OPTION**  
00= None  
05= No relieving  
06= 1/4" gauge port  
07= Automatic drain  
56= No relieving 1/4" gauge port  
57= No relieving Automatic drain  
67= 1/4" gauge port Automatic drain  
X= Special

**DIAPHRAGM & SEALS MATERIAL**  
FK= FKM (WT -25° +90°C)  
NB= NBR (WT -20° +80°C)  
LT= EPDM (WT -40° +80°C)  
FL= Special compound (WT -55° +90°C)  
HN= HNBR (WT from -55° suitable for gas)

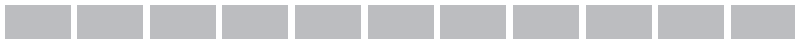
**MATERIAL**  
SS= 316-316L Stainless steel  
AL= Copper free aluminum alloy  
SP= Special

Specials

### CODE EXAMPLES



**3/8" NPT, SS316, 0 to 8 bar range, filter regulator, with 40 micron filtering element, relieving, SS pressure gauge, automatic drain, ss bracket kit and FKM diaphragm & seals**  
Filtro regolatore da 3/8" NPT in AISI316, range regolato 0/8 bar, elemento filtrante da 40 micron, manometro tutto inox, relieving, scarico condensa automatico, staffa inox, diaframma e tenute in FKM



**3/8" NPT, SS316, 0 to 8 bar range, filter regulator, with 5 micron filtering element, relieving and FKM diaphragm & seals**  
Filtro regolatore da 3/8" NPT in AISI316, range regolato 0/8 bar, elemento filtrante da 5 micron, relieving, diaframma e tenute in FKM



BT-APCD/C16A

**Distributor:**  
  
INSTRUMENTATION & FILTRATION  
**De Gidts & Feldman BV**  
The Netherlands  
www.dgfg.nl